



TECHNICAL SPECIFICATION 16-LITRE ENGINE DC16 553 - 673 KVA

The DC16 is a turbo charged 4-stroke diesel engine equipped with Engine Management System (EMS) and Electronically controlled unit injectors (EUI).

No. of cylinders	8 in 90° V
Displacement	15.6 litres
Bore	127 mm
Stroke	154 mm
Weight excl. oil and water	1290 kg

Standard equipment

Unit injectors and Scania EMS electronic control unit (Engine Management System). Turbo charger, exhaust bend 90°, centrifugal lube oil cleaner, oil filter, oil cooler, fuel pre-filter with water separator, fuel filter, alternator 1-pole 100A 28V, starting motor 1-pole 6.7 kW 24V, flywheel SAE 14", flywheel housing SAE1 of silumin, front mounted engine brackets, Operator's manual.

Optional equipment

Optional oil filling, starter 2-pole 6.7kW 24V.

Extra equipment

Fan cover, fan ring, expansion tank and protection covers, fan Ø965 mm, stiff or fixed engine suspension. Air compressor, Side mounted power take-off with a maximum continuous torque of 400 Nm (41 kpm). front mounted power take-off with a maximum continuous torque of 635 Nm (65 kpm). Crankshaft belt pulley with two extra grooves, various exhaust connections, silencer and air cleaner, engine heater, manual or electrical pump for oil draining, closed crankcase ventilation. Torsional vibration calculations for industrial applications.

Engine description

Cylinder block Made of alloy cast iron. **Cylinder heads** Individual cylinder heads. Unit injector technology with engine mounted electronic control unit. Steel gasket between block and cylinder heads. **Valves** Four valves per cylinder head. **Timing gear train** Mounted at the flywheel end of the crankshaft. **Camshaft** One camshaft for each cylinder row. **Pistons** Aluminium bodies and steel crowns. **Oil cooler** Mounted inside the engine block and of multi-plate type. **Connection rods** I-section pressforgings of alloy steel. **Crankshaft** Made of alloy steel with hardened and polished bearing surfaces. **Oil sump** Made of cast aluminium. **Flywheel** Made of cast iron. Direction of rotation seen from flywheel end – counter clockwise. **Electrical system** 1-pole 24 V.

Engine type	DC16 49A (553 - 673 kVA)				
	50 Hz		60 Hz		
	Prime Power	Stand-by Power	Prime Power	Stand-by Power	
Engine output, gross	kW	483	531	531	584
kVA band**	KVA	553	609	600	673
Governor, type	Scania Engine Management System (EMS)				
Spec. fuel consumption:					
1/1 load	g/kWh	196	199	201	204
3/4 load	g/kWh	191	191	193	193
1/2 load	g/kWh	195	194	197	196
Spec. lube oil consumption:	g/kWh	< 0.3		< 0.3	
Compression ratio		16:1			
Heat rejection					
to cooling water	kW	157	175	171	192
to exhaust gas	kW	359	400	408	473
to charge air	kW	92	110	114	123
to surrounding air	kW	45	50	51	57
Air consumption	kg/min	37	40	44	46
Exhaust flow	kg/min	39	42	46	48
Exhaust temperature	°C	531	542	508	559

**Range, kVA: As per above note *fan losses and with generator efficiency common on the market.

Speed variations according to ISO 3046/IV, Class A1, and ISO 8528-1, Class G2.

Output values: 0 to +3%. Fuel values: +/-3%.

Prime power

PRP: For continuous operation at varying load. Max. mean load factor of 70% of rated power over 24 h of operation. 1 hour/12 hours period of accumulated peak overload to 110%.

Test conditions

Air temperature	+25°C
Barometric pressure	100 kPa (750 mmHg)
Humidity	30%
Diesel fuel acc. to	ECE R 24 Annex 6
Density of fuel	0.840 kg/dm ³
Viscosity of fuel	3.0 cSt at 40°C
Energy value	42700 kJ/kg

Environment:

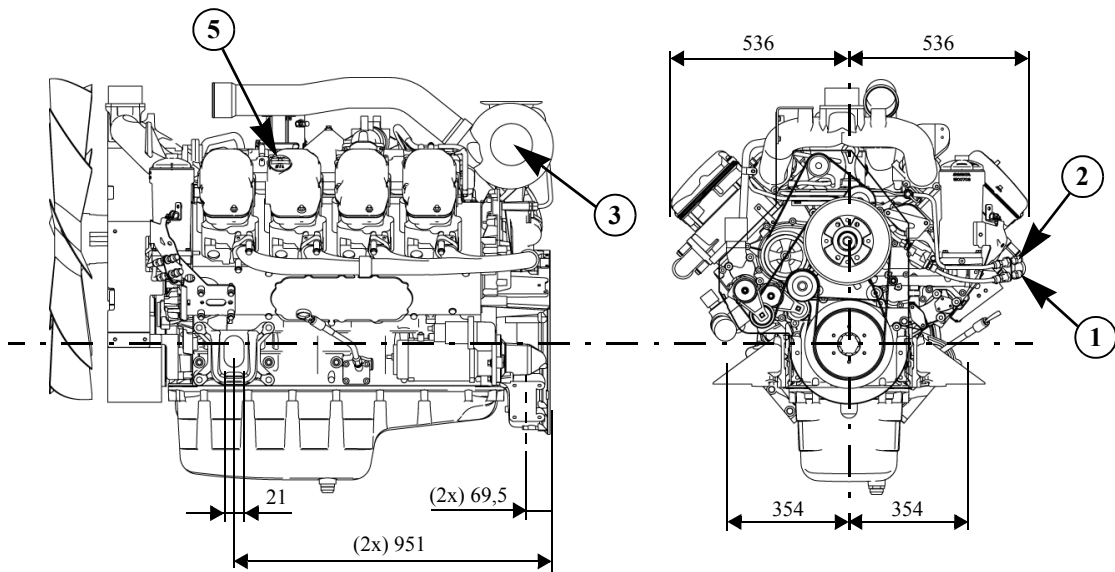
Fuel optimized, Non-compliant engines.

Note that for engines with more than 560 kW there are no emission regulations in Europe.

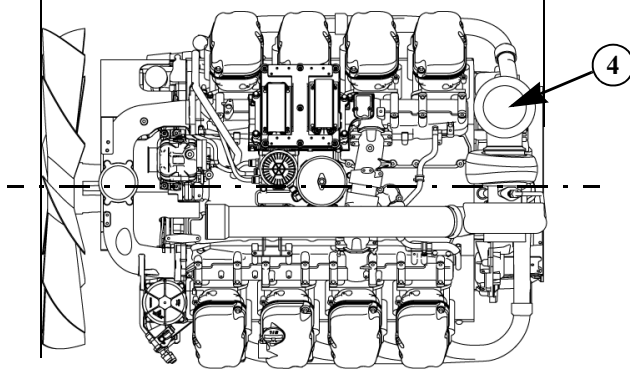
Stand-by Power

ESP: For operation under normal varying load during a power outage. Not overloadable. Max mean load factor of 70% of rated power over 24 h of operation. Not for applications intended for more than 200 h/year.

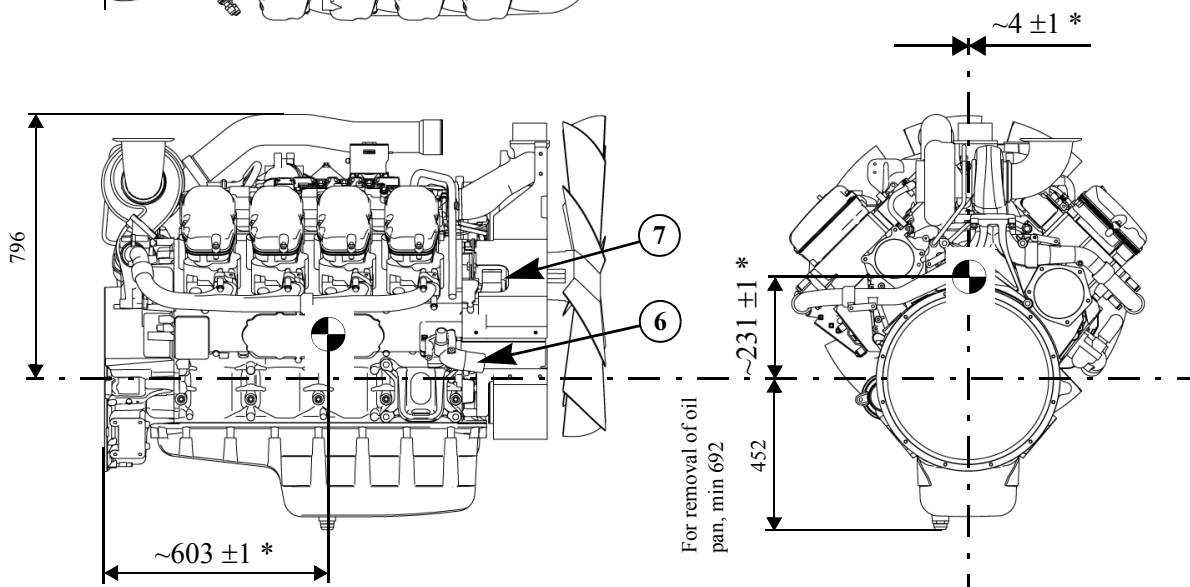
DC16



fan Ø912 mm: Puller 1428, Pusher 1452
fan Ø787 mm: Puller 1432, Pusher 1454



- 1 Fuel inlet
- 2 Fuel return
- 3 Air inlet
- 4 Exhaust outlet
- 5 Oil filling cap
- 6 Water inlet
- 7 Water outlet



For removal of oil pan, min 692



SCANIA

This specification may be revised without notice.