



SCANIA GENSET SG770



Picture is showing a SG600

A perfect power package

You deserve a genset you can rely on. A dependable power plant delivering maximum uptime, low operational costs and long-term profitability.

The Scania Gensets are engineered with all this in mind. The result: A comprehensive range of extremely reliable and fuel efficient power packages. All of them built around the latest generation of Scania diesels; impressive engines having proven their skills and endurance in all kinds of climates and environments.

Every Scania Genset is an integrated, ready-to-run solution with true Scania quality in every detail – from the cutting-edge diesel engine and alternator, to the sophisticated digital control interface. All in all, our gensets are solid performers providing high efficiency, reduced emissions and low life-cycle-costs.

The Scania Genset comes in two types to perfect fit your application.

PRP - Prime power

For continuous operation and unlimited yearly operation time at varying load. Max mean load factor of 70% of rated power over 24 h of operation. 1 hour/12 hours period of accumulated peak overload to 110%. Available for Fuel optimized gensets.

ESP - Standby power

This rating is for the supply of continuous electrical power (at variable load) in the event of a reliable utility power failure. No overload is permitted. Available for Fuel optimized gensets.

Genset type	SG770	SG770
Application	PRP	ESP
50Hz, 380-415 V	700 kVA 560 kWe	770 kVA 616 kWe
	Ratings at 0.8 pf	

Genset images may include optional extras.



SCANIA GENSET SG770

Genset specification	Unit	50Hz, 1,500rpm Fuel optimized
Scania engine type		DC16 078A
Number of cylinders		V 8
Displacement	litre	16,4
Aspiration		Turbocharged
Alternator		MeccAlte
Frequency	Hz	50
Engine speed	rpm	1,500
Fuel tank capacity	litre	965

Fuel consumption (PRP)

100%	L/h	142
75%	L/h	105
50%	L/h	70

Technical data

Heat rejection to exhaust system	kW	414
Heat rejection to cooling system	kW	192
Exhaust temperature	°C	524
Combustion air flow	kg/min	45

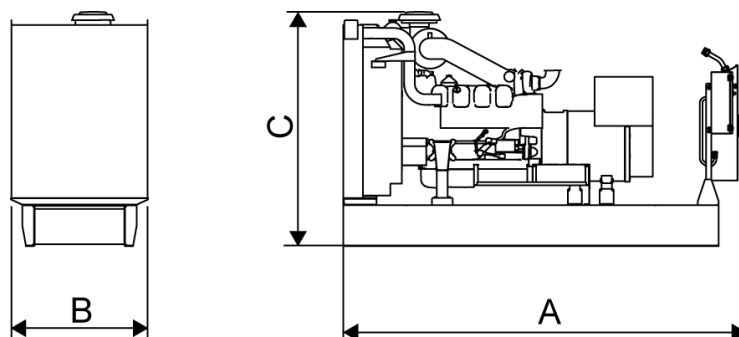
Dimensions

Length (A)	mm	3900
Width (B)	mm	1316
Height (C)	mm	2248

Weight

Incl. coolant and oil, excl. batteries and fuel	kg	4155
-------------------------------------------------	----	------

Test conditions Air temperature +25°C. Barometric pressure 100 kPa (750 mmHg). Humidity 30%. Diesel fuel acc. to ECE R 24 Annex 6. Density of fuel 0.840 kg/dm³. Viscosity of fuel 3.0 cSt at 40°C. Energy value 42700 kJ/kg. **Power test code** ISO 3046. Power and fuel values ±3%.



SCANIA

SE 151 87 Södertälje, Sweden
 Telephone +46 8 553 810 00
 Telefax +46 8 553 829 93
 www.scania.com
 engines@scania.com