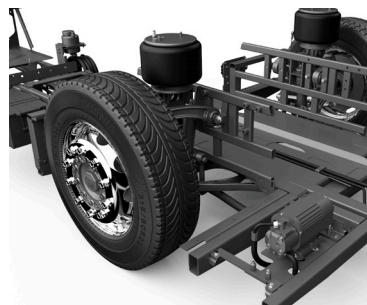
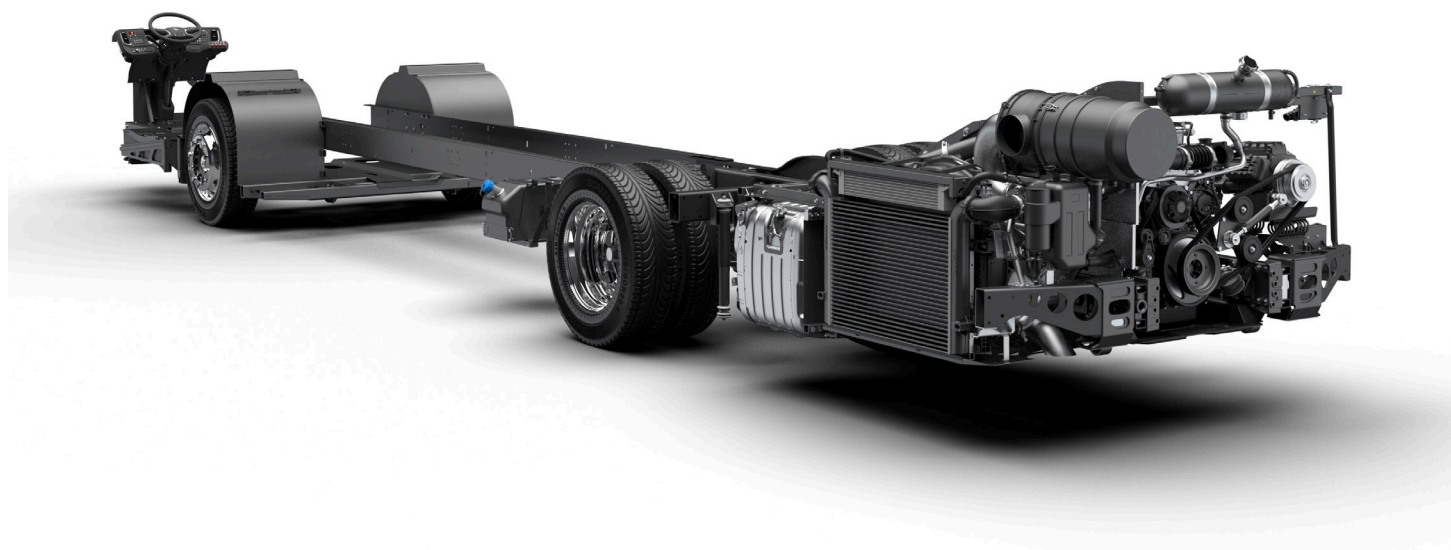


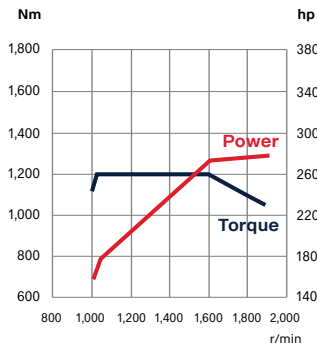
LOW ENTRY

K-CHASSIS

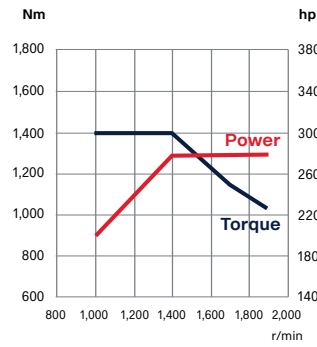
Based on more than a century of engineering experience, the new generation of Scania buses has been developed to meet the demands of today's and tomorrow's cities. Energy efficient, available in a wide range of powertrains and offers the latest technology in everything from safety systems to reduced emission and noise levels. And through excellent uptime, fuel efficiency and possibility of high passenger capacity, the new Scania buses allows sustainable mobility to go hand-in-hand with operating economy.



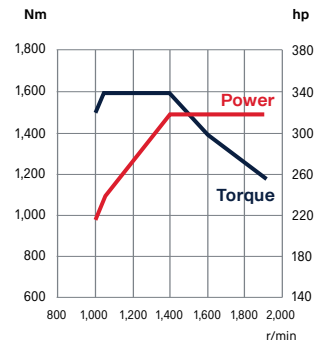
7-litre, 280 hp
Biodiesel, HVO, diesel



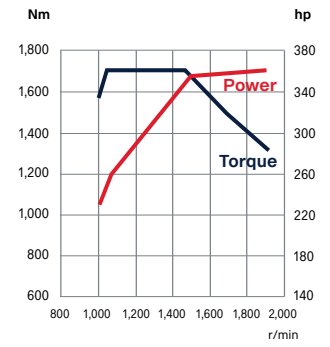
9-litre, 280 hp
HVO, diesel



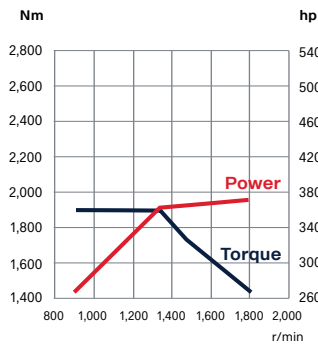
9-litre, 320 hp
Biodiesel, HVO, diesel



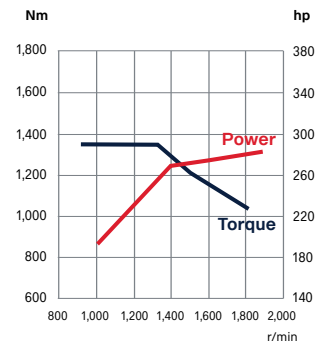
9-litre, 360 hp
Biodiesel, HVO, diesel



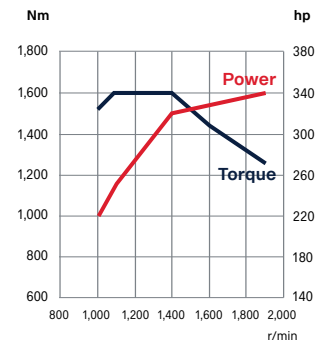
13-litre, 370 hp
HVO, diesel



9-litre, 280 hp
Biogas, natural gas



9-litre, 340 hp
Biogas, natural gas



Powertrain - Hybrid electric

Hybrid - Biodiesel, HVO, diesel

9-litre engine 320 hp (235 kW), torque 1600 Nm
Electric motor 130 kW, torque 1030 Nm

Gearbox:

12-speed gearbox with Scania Opticruise

Powertrain - Combustion, Euro 6

Biodiesel, HVO, diesel:

7-litre 280 hp (206 kW), torque 1200 Nm
9-litre 320 hp (235 kW), torque 1600 Nm
9-litre 360 hp (265 kW), torque 1700 Nm

HVO, diesel:

9-litre 280 hp (206 kW), torque 1400 Nm
13-litre 370 hp (272 kW), torque 1900 Nm

Fuel capacity: 140 – 360 litres, 450 - 560 litres (articulated)

Biogas, natural gas:

9-litre 280 hp (206 kW), torque 1350 Nm
9-litre 340 hp (250 kW), torque 1600 Nm

Fuel capacity: 1260 - 1875 litres

Gearbox:

12-speed gearbox with Scania Opticruise
6-speed fully automatic gearbox with acceleration control

Axle and suspension

Configurations:

2-axle, 3-axle with steered tag axle, 3-axle articulated

Front axle:

Independent suspension or rigid axle
Max. load capacity 8.2 tonnes, articulated 8.0 tonnes

Rear axle:

Rigid axle, driven
Max. load capacity 13 tonnes

Centre axle (articulated):

Rigid axle
Max. load capacity 13 ton

Tag axle:

Rigid axle, steerable, non-driven
Max. load capacity bogie 19 tonnes (11.5 + 7.5 tonnes)

Full air suspension with electronic level control system (ELC)
Total raising or lowering of chassis height in the front or the whole side

Wheel

Tyre size (front): 275/70, 275/80, 295/80, 305/70, 315/60, 315/70

Tyre size (rear): 275/70, 275/80, 295/80, 305/70, 315/60, 315/70, 315/80

Aluminum or steel rims

Electrical system

150, 180 or 230 Ah or dual battery system, 24 V
Alternator 150, 180, 2x150 or 2x180 A

Brakes

Disc brakes, electronic brake system (EBS), anti-lock brake system (ABS), traction control (TC), bus stop brake, hill-hold, pad wear indicator, pipes manufactured from either rust protected steel or high impact synthetics, separate air tanks for each circuit, exhaust brake with automatic control

Support system

Scania Driver Support, electro-pneumatic parking brake, adaptive cruise control (ACC), vulnerable road user collision warning, blind spot warning

Scania CV AB

SE 151 87 Södertälje, Sweden
Telephone +46 8 55381000
www.scania.com