



DETAILED PERFECTION FOR EVERY APPLICATION

MODEL VEHICLES



SCANIA

MODEL VEHICLES

Scania pride doesn't end when the working day is over. So wherever you are, and whatever you're doing, let your Scania pride shine through.

Scale 1:50 model vehicles are metal scale models of highest quality. Scale 1:87 model vehicles are detailed plastic or metal models. Collector's items. Not suitable for children under 14 years. Model vehicles Scale 1:16, 1:25 are detailed plastic models. Not suitable for children under 36 months of age as small parts could be inhaled or swallowed.



Scania S 730 V8

Scania S 730 V8 8x4/4 heavy haulage tractor with low-bed semitrailer. Manufactured by WSI. Scale 1:50

No. 2657315



Scania R 650 V8

Scania R 650 V8 6x4 timber truck with drawbar trailer. Manufactured by Tekno. Scale 1:50

No. 2657317



Scania R 580 V8

Scania R 580 V8 6x4 tractor with tipper semitrailer. Manufactured by Tekno. Scale 1:50

No. 2657319



Scania G 410

Scania G 410 6x2*4 temp controlled box and centre axle trailer.
Manufactured by WSI. Scale 1:50

No. 2657316



Scania R 500

Scania R 500 4x2 tractor with bulk silo semitrailer.
Manufactured by Tekno. Scale 1:50.

No. 2560938



Scania R 730 V8

Scania R 730 V8 6x2 rigid truck with drawbar trailer 25,25.
Manufactured by Tekno. Scale 1:50.

No. 2560942



Scania R 500 (RHD)

Scania R 500 6x2/2 RHD tractor with curtainside semitrailer. Manufactured by Tekno. Scale 1:50.

No. 2560946



Scania R 450

Scania R 450 4x2 tractor with vehicle transport semitrailer. Manufactured by WSI. Scale 1:50.

No. 2560956



Scania R 450

Scania R 450 4x2 tractor with walking floor semitrailer.
Manufactured by Tekno. Scale 1:50.

No. 2560944



Scania R 450

Scania R 450 4x2 tractor with grain transport
semitrailer. Manufactured by Tekno. Scale 1:50.

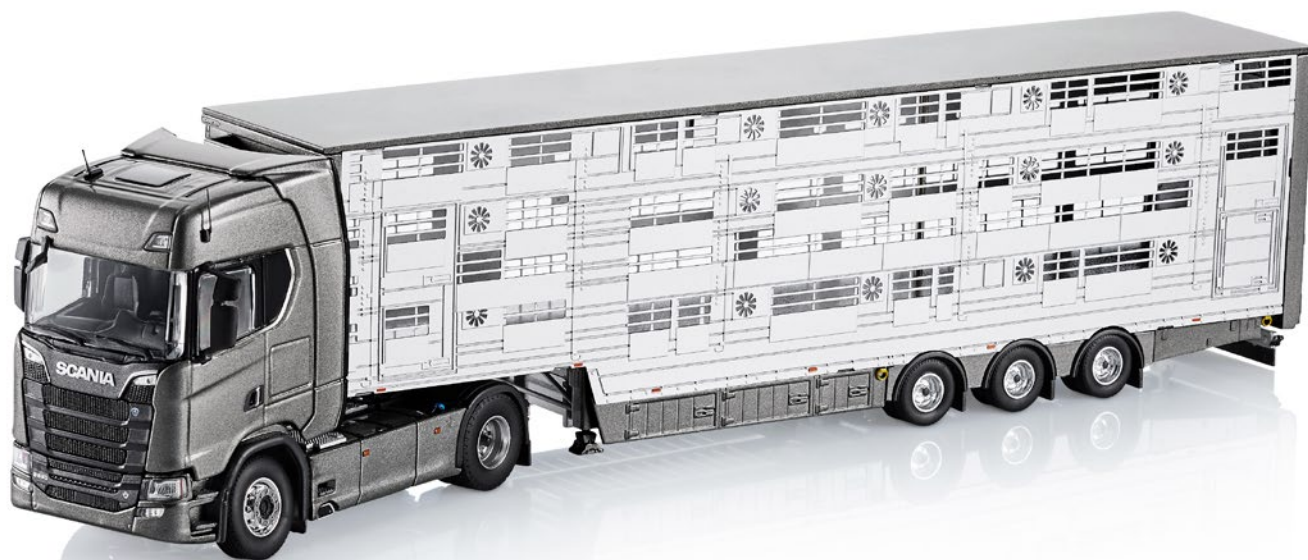
No. 2560947



Scania S 410

Scania S 410 4x2 tractor with volume transport semitrailer.
Manufactured by Tekno. Scale 1:50.

No. 2560943



Scania S 520

Scania S 520 4x2 tractor with live stock semitrailer.
Manufactured by Tekno. Scale 1:50.

No. 2560941



Scania S 730 V8

Scania S 730 V8 4x2 tractor in display case.
Manufactured by Tekno. Scale 1:50.

No. 2560948



Scania S 410

Scania S 410 4x2 tractor with tank semitrailer.
Manufactured by Tekno. Scale 1:50.

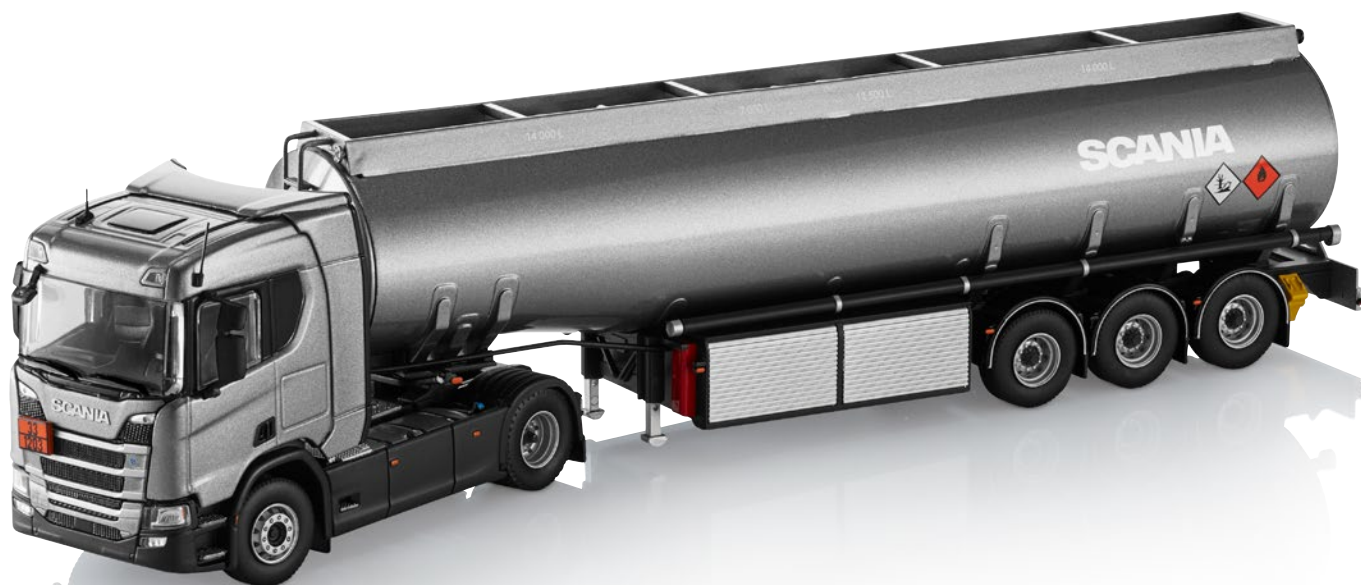
No. 2560939



Scania S 580 V8

Scania S 580 V8 6x2 tractor with temperature controlled semitrailer. Manufactured by Tekno. Scale 1:50.

No. 2560945



Scania R 410

Scania R 410 4x2 tractor with fuel tank semitrailer. Manufactured by Tekno. Scale 1:50.

No. 2560940



Scania P 360

Scania P 360 4x2 Scania CrewCab. Rescue Vehicle.
Manufactured by Tekno. Scale 1:50.

No. 2203098



Scania P 410

Scania P 410 8x4 Liebherr crane.
Manufactured by WSI.
Scale 1:50.

No. 2560955



Vintage Car

"Eriksson roadster" 1897. Scale 1:50.

No. 1857457



Vintage Truck

Vabis 1902. Scale 1:50.

No. 1857455



Vintage Truck

"Fryken" 1928. Scale 1:50.

No. 1857454



Vintage bus 1911

Scale 1:50.

No. 1857456

Scania Citywide LF
Scale 1:50.
No. 1599635



Scania Touring HD
Scale 1:50.
No. 2030227



Scania Irizar PB
Scale 1:50.
No. 2274640





Scania S 730 V8

Scania S 730 V8 8x4/4 heavy haulage tractor with low-bed semitrailer. Manufactured by Herpa. Scale 1:87

No. 2657321



Scania R 500

Scania R 500 4x2 tractor with tipper semitrailer. Manufactured by Herpa. Scale 1:87.

No. 2657322



Scania R 650 V8

Scania R 650 V8 4x2 tractor in display case. Manufactured by Herpa. Scale 1:87.

No. 2657323



Scania R 500

Scania R 500 6x2/2 tractor with telescopic semitrailer.
Manufactured by Herpa. Scale 1:87.

No. 2657324



Scania G 280

Scania G 280 4x2 truck with box body and tail lift.
Manufactured by Herpa. Scale 1:87.

No. 2778068



Scania G 500

Scania G 500 6x6 tipper truck with tipper trailer.
Manufactured by Herpa. Scale 1:87.

No. 2778069



Scania S 730 V8

Scania S 730 V8 4x2 tractor in display case.
Manufactured by Herpa. Scale 1:87.

No. 2560949



Scania S 450

Scania S 450 4x2 tractor with temperature controlled semitrailer.
Manufactured by Herpa. Scale 1:87.

No. 2560950



Scania S 500

Scania S 500 4x2 tractor with tank semitrailer.
Manufactured by Herpa. Scale 1:87.

No. 2560951



Scania R 450

Scania R 450 4x2 tractor with box semitrailer. Recommended age: from 3 years. Manufactured by EMEK. Scale 1:25.

Size: 60 × 12 × 16 cm.

No. 2778736



Scania G 450

Scania G 450 8x4*4 with hook lift. Recommended age: from 3 years. Manufactured by EMEK. Scale 1:25.

Size: 37 × 12 × 14.5 cm.

No. 2778737



Scania G 500

Scania G 500 6x4 tipper truck with tipper trailer. Recommended age: from 3 years. Manufactured by EMEK. Scale 1:25.

Size: 62 × 12 × 13.5 cm.

No. 2778738



Scania R 410

Scania R 410 6x2 truck with box body and tail lift. Recommended age: from 3 years. Manufactured by EMEK. Scale 1:25.

Size: 38 × 12 × 16 cm.

No. 2778739



Scania S 650

Scania S 650 6x4 tractor with low-bed semitrailer loaded with an excavator. Recommended age: from 3 years. Manufactured by EMEK. Scale 1:25.

Size: 68 × 12 × 15 cm.

No. 2778740



Scania R 730 V8

Scania R 730 V8 6x4 timber truck with drawbar trailer. Recommended age: from 3 years. Manufactured by EMEK. Scale 1:25.

Size: 78 × 12 × 16 cm.

No. 2560954



Scania R 450

Scania R 450 4x2 tractor with tank semitrailer. Recommended age: from 3 years. Manufactured by EMEK. Scale 1:25.

Size: 54 × 12 × 15 cm.

No. 2560953



Scania S 410

Scania S 410 4x2 tractor with box semitrailer. Recommended age: from 3 years. Manufactured by EMEK. Scale 1:25.

Size: 61 × 12 × 16 cm.

No. 2560952



Scania R 560 V8

Scania R 560 V8 6x4 low loader with Caterpillar bulldozer. Doors can be opened. Fold-down loading ramps. Recommended age from 3 years. Manufactured by Bruder. Scale 1:16.

Size: 86.5 × 18.5 × 26 cm.

No. 2032294



Scania R 560 V8

Scania R 560 V8 8x4 tipper. Doors can be opened. Tipper body. Tail gate can be opened. Recommended age from 3 years. Manufactured by Bruder. Scale 1:16.

Size 54 × 18.5 × 24.3 cm.

No. 2032292

Scania R 560 V8

Scania R 560 V8 8x4 concrete mixer. The drum of the mixer can be filled with sand, just use the pull out crank to empty the drum just like in real life. Two attachable run-out plates are included. Recommended age: from 3 years. Manufactured by Bruder. Scale 1:16.

Size: 54 × 18.5 × 24.3 cm.

No. 2032293

**Scania R 560 V8**

Scania R 560 V8 6x4 refuse collector. This is a fully functional garbage truck with loader just like the real one. Just turn the mechanism and you can see all your garbage through the inspection window. Two garbage bins are included. Easy access for empty the garbage. Recommended age: from 3 years. Manufactured by Bruder. Scale 1:16.

Size: 62 × 18.5 × 26.5 cm.

No. 2032295



Scania R 560

Scania R 560 V8 6x4 hook-lift truck with side doors and rear container doors that open. The container can be lowered and dropped off from the rear. Recommended age: from 3 years. Manufactured by Bruder. Scale 1:16.

Size: 53.5 × 19 × 20.5 cm.

No. 2421716



Scania R 560 V8

Scania R 560 V8 6x4 timber truck with loading crane and 3 logs. Doors can be opened. The platform can be tilted towards the rear. Fold-down stakes. The crane arm can pivot 360°, telescoped and locked in numerous positions. Extending and lowering side supports for stabilising the loading crane. Log grabber with automatic closing. Height-adjustable stake chains for load securing. Recommended age: from 4 years. Manufactured by Bruder. Scale 1:16.

Size: 54.5 × 19 × 27 cm.

No. 2421717



