



# R 730

# 6X4 PRIME MOVER

## CHASSIS SPECIFICATION

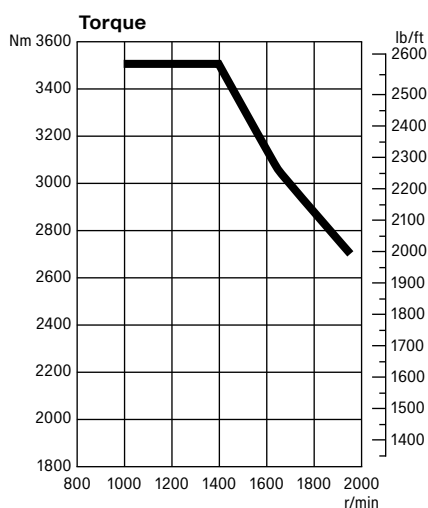
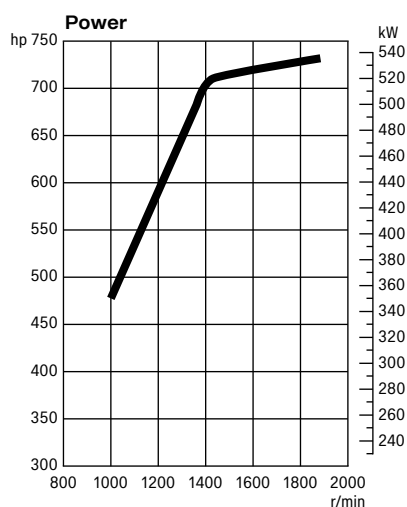


**SCANIA**

# R 730

## 6X4 PRIME MOVER

### CHASSIS SPECIFICATION



#### ENGINE

- Scania DC16 730 16.4 Litre 90° V8
- Power - 730hp (537kW) @ 1900rpm
- Torque - 3500 Nm (2581ft/lb) @ 1000 - 1400rpm
- EURO6 (SCR + EGR)

#### ENGINE FEATURES

- Scania XPI fuel injection
- Variable geometry turbocharger
- EGR/SCR with catalytic converter
- Centrifugal engine oil filter
- Spin-on turbocharger oil filter
- Cartridge style fuel filters

#### FAN

- Electronically controlled viscous drive

#### ALTERNATOR

- Scania 24 V, 150 amp

#### COMPRESSOR

- Knorr 720, twin cylinder, 800 L/min with air drier

#### AIR CLEANER

- Mounted under front grille

#### GEARBOX

- Scania GRS0925R, Overdrive 14 speed
- Scania Retarder

#### GEARBOX FEATURES

- Scania Opticruise
- Gearbox oil cooler
- PTO - Electrical Preparation
- R4100D Retarder

#### FRONT & REAR AXLES

##### FRONT AXLE

- Scania AM420S

##### FRONT SUSPENSION

- 3x29 parabolic front springs, 7500kg capacity with anti roll bar

##### REAR AXLES

- Scania AD200SA Axle housings
- Scania RB662/R660 Differentials
- Ratio 3.42 with power divider and differential locks

##### REAR SUSPENSION

- Scania 4 bag air suspension (19000kg capacity)

##### BRAKES

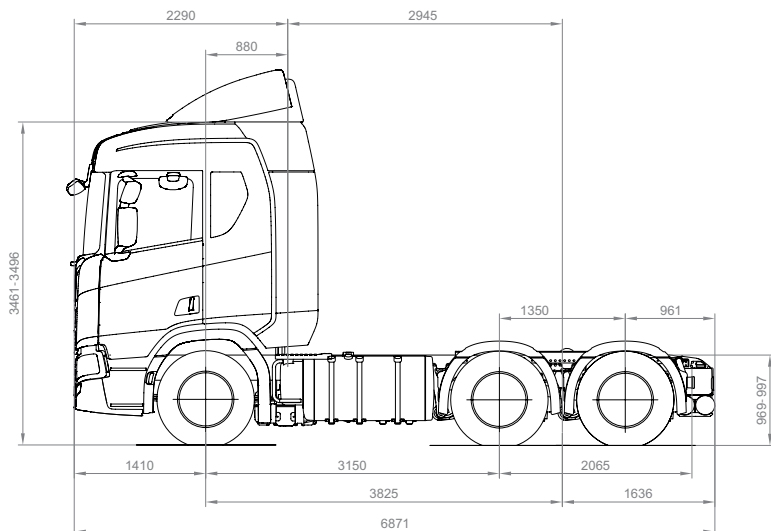
- Scania electronically controlled disc brakes
- EBS with integrated ABS and Traction Control
- Hill hold

##### WHEELS

- Alcoa Aluminum Disc polished, 22.5" x 8.25" tubeless rims
- 335mm PCD

##### TYRES

- Front - Bridgestone 295/80 R22.5
- Rear - Bridgestone 295/80 R22.5



Turntable mounting angles protrude 40mm above the chassis height.

Tare Weight: Front = 6370kg, Rear = 4205kg, Total = 10575kg.

Tare weight includes, tanks full of fuel and urea. It does not include turntable, bull bar or driver.

Tare weight may vary +/- 5% depending on vehicle specifications.

## CHASSIS

### FRAME

- Scania F950, 270 x 90 x 9.5mm
- Width 770mm

### PAINT

- Scania Sub-Grey (Powder Coat)

### AXLE DISTANCE

- 3150mm (3825mm wheel base)
- Rear overhang 1636mm

### FUEL & UREA TANKS

- 1030L (1x710L L/H, 1x320L R/H)
- 1x75L Urea tank R/H

### FRONT BUMPER

- Normal FUP compliant bumper
- FUP to ECE R93

### BATTERIES

- 24V (2x12V, 230amp) rear of chassis
- Chassis electrical connection for auxiliary equipment (Max 200amps)

### TRAILER CONNECTIONS - BRAKES

- Trailer Supply & Emergency suzi coils

### TRAILER CONNECTIONS - ELECTRICAL

- 12V & 24V trailer light outlets (ISO 1185)
- Trailer lead 7pole to 7pole
- 24V trailer 7pin ABS outlet
- Scania Body Work System with Cable Harness
- Front Mudguards with Spray suppression
- Rear Mudguards with Spray suppression

## CABIN

- Scania CR20 High Roof Sleeper cab with four point air suspension
- Electric cab tilt
- Cab Strength to ECE R29

### PAINT

- Cab Painted
- Scania White
- With Brilliant Black grille
- Cab colour bumper & front guards

### MIRRORS

- Aerodynamic main & spotter mirrors electrically heated
- Electrically adjustable main mirrors
- Close up mirror on passenger side

### EXTERIOR EQUIPMENT

- Roof rails with full air foil kit
- Roof mounted air horns
- Electric roof hatch with mosquito net
- Remote Central Locking
- External storage compartments
- Reverse Alarm

### LIGHTING

- LED headlights
- Day time running lights - White LED
- End outline marker - White LED
- Identification lights - White LED
- Driving lights in roof
- Driving lights in grille
- Boarding step lights
- Turntable light
- Fog lights in bumper

### SAFETY

- Driver seat belt pretensioner
- Drivers steering wheel air bags
- Driver and passenger side curtain air bag
- Lane departure warning (LDW)
- Electronic stabiliser program (ESP)
- Advanced emergency braking (AEB)
- Adaptive cruise control (ACC)

## INTERIOR EQUIPMENT

- Premium driver's seat with armrest
- Medium passenger seat
- Black leather trim
- Soft feel black/grey dash with centre storage and passenger table with dark chrome trim
- Black leather steering wheel
- With Cruise Control & Dash display controlled from steering wheel
- Scania 7 inch colour dash display featuring rear axle load, hour meter, service and vehicle information
- Premium 7 inch infotainment system
- AUX MP3, input
- Phone electrical preparation
- 12V outlet in dash
- FMS Preparation
- Resettable Circuit breakers
- Power Windows - Driver & Passenger
- Automatic Climate Control with Air conditioning
- Refrigerator/freezer under bunk
- Lower Bed, extendable from 800mm to 1000mm
- Upper Bed, 700mm
- Curtains, Windscreen & Door, Bed
- Protective rubber floor mats
- UHF CB radio

## ADDITIONAL EQUIPMENT

- 20m Tyre inflation hose
- Jack & wheel brace
- Globe Kit
- Drivers Manual
- Three Safety Triangles

For more information contact your Scania branch or local dealer.

**HEAD OFFICE**

212 – 216 Northbourne Rd  
Campbellfield, 3061  
Tel: (03) 9217 3300

**VICTORIA**

**Scania Campbellfield**  
212 – 216 Northbourne Rd  
Campbellfield, 3061  
Tel: (03) 9217 3300

**Scania Dandenong**

2/66 Greens Rd  
Dandenong South, 3175  
Tel: (03) 9217 3600

**Scania Laverton**

125 – 129 Boundary Rd  
Laverton, 3026  
Tel: (03) 9369 8666

**NEW SOUTH WALES**

**Scania Newcastle**

1 Enterprise Drive  
Beresfield, 2322  
Tel: (02) 9825 7940

**Scania Prestons**

16 – 18 Lyn Pde  
Prestons, 2170  
Tel: (02) 9825 7900

**K & J Trucks Pty Ltd**

Lot 1 Pacific Highway  
Boambee, 2450  
Tel: (02) 6652 7218

**QUEENSLAND**

**Scania Richlands**

149 Archerfield Rd  
Richlands, 4077  
Tel: (07) 3712 8500

**Scania Pinkenba**

213 Holt St  
Pinkenba, 4008  
Tel: (07) 3712 7900

**RSC Diesel**

29 – 31 Ponzo St  
Woree, 4868  
Tel: (07) 4054 5440

**SOUTH AUSTRALIA**

**Scania Wingfield**

218 – 234 Cormack Rd  
Wingfield, 5010  
Tel: (08) 8406 0200

**WESTERN**

**AUSTRALIA Scania**

**Kewdale**

527 – 529 Abernethy Rd  
Kewdale, 6105  
Tel: (08) 9360 8500

IMPORTANT. The specifications in this brochure were correct at the time of printing. All weights and measurements are approximate only. Images in this brochure may display some features not included in the standard specification. Scania Australia reserves the right to change specifications without prior notice.

