



P 450

6X2 PRIME MOVER

CHASSIS SPECIFICATION

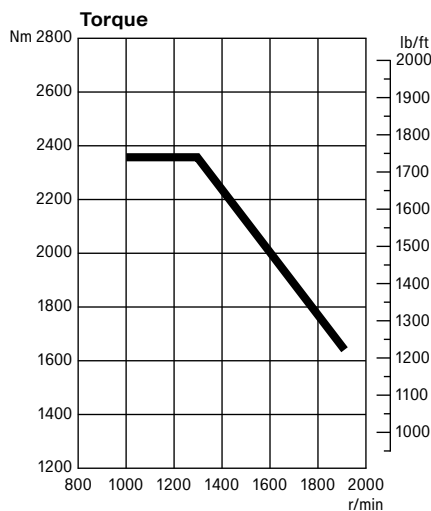
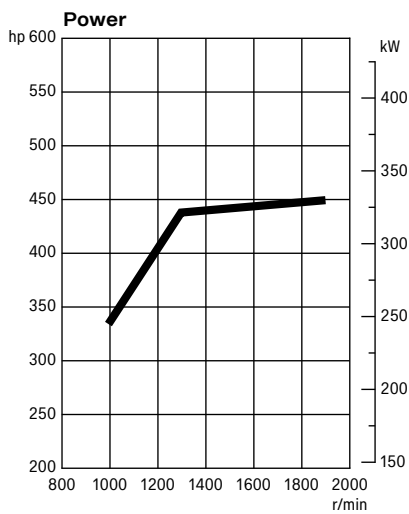


SCANIA

P 450

6X2 PRIME MOVER

CHASSIS SPECIFICATION



ENGINE

- Scania DC 13 450 12.7 Litre In-line 6 cylinder
- Power – 450 hp (335 kW) @1900 rpm
- Torque – 2350 Nm (1733 lb-ft) @1000 – 1300 rpm
- Euro6 (ADR 80/03)

ENGINE FEATURES

- Scania Electronic Fuel Injection
- Single stage turbocharger
- SCR with Catalytic Converter
- Centrifugal engine oil filter
- Spin-on turbocharger oil filter
- Cartridge style fuel filters

FAN

- Electronically controlled viscous drive

ALTERNATOR

- Scania 24 V, 100 amp

COMPRESSOR

- Knorr 720, twin cylinder, 800 L/min with air drier

AIR CLEANER

- Mounted under the grille RH side

GEARBOX

- Scania GRS905R, Direct 14 speed
- With Scania Retarder

GEARBOX FEATURES

- Scania Opticruise with Fully Automated Clutch
- PTO – Electrical Preparation
- R3500 Retarder

FRONT & REAR AXLES

FRONT AXLES

- Scania AM420S

FRONT SUSPENSION

- 2 x 32 parabolic front springs 7100 kg capacity with anti roll bar

REAR AXLES

- Scania AD200SA Axle housings
- Scania A600SA (tag axle)
- Scania RB662/R660 Differentials
- Ratio 2.71 with differential locks

REAR SUSPENSION

- Scania 4 bag air suspension (19,000 kg capacity)

BRAKES

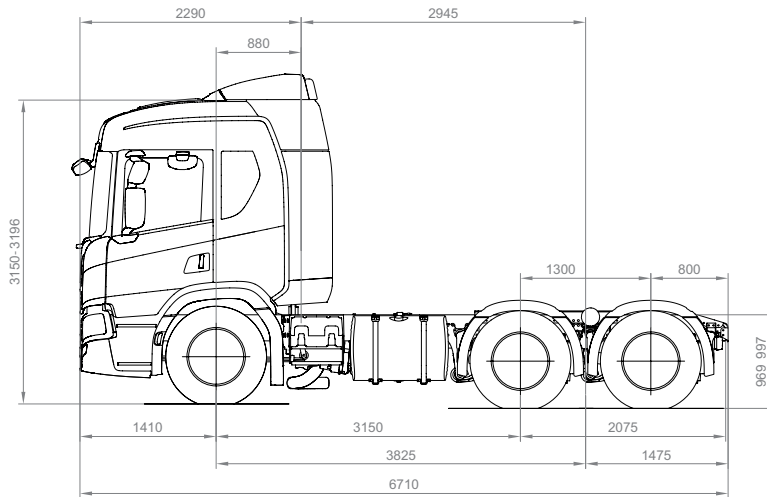
- Scania electronically controlled disc brakes
- EBS with integrated ABS and Traction Control
- Hill hold

WHEELS

- Steel Disc, Painted Silver
- 22.5" x 8.25" Tubeless rims
- 335 mm PCD

TYRES

- Front – Bridgestone 295/80R22.5
- Rear – Bridgestone 295/80R22.5



Turntable mounting angles protrude 40 mm above the chassis.

Tare Weight: Front = 5237 kg, Rear = 3437 kg, Total = 8674 kg

Tare Weight includes tanks full of fuel. It does not include turntable, bullbar or driver.

Weight Tolerance +/- 5%

CHASSIS

FRAME

- Scania F950 (270 x 90 x 9.5) mm
- Width 770mm

PAINT

- Scania Sub-Grey (Powder Coat)

AXLE DISTANCE

- 3150 mm (3825 mm wheelbase)
- Rear overhang 1475 mm

FUEL TANKS & UREA

- 700 L (1x400 L LH, 1x300 L RH)
- 1x80 L Urea Tank RH

FRONT BUMPER

- High Mounted with FUP
- FUP to ECE R93

BATTERIES

- 24 V (2x12 V, 180 Ah) LH Side
- Chassis electrical connection for auxiliary equipment (Max 200 amps)

TRAILER CONNECTIONS -

BRAKES

- Trailer Supply & Emergency suzi coils

TRAILER CONNECTIONS -

ELECTRICAL

- 24 V trailer light outlet (ISO 1185)
- Trailer lead 7-pole to 7-pole
- 24 V trailer 7-pin ABS outlet
- Scania Body Work System with Cable Harness
- Front Mudguards with Spray suppression
- Rear Mudguards with Spray suppression

CABIN

- Scania CP20 Normal Height Sleeper cab with four point spring suspension

- Cab Strength to ECE R29

PAINT

- Cabin painted Scania white
- With Grey grille

MIRRORS

- Aerodynamic main & spotter mirrors electrically heated
- Electrically adjustable main mirrors
- Close up mirror on passenger side
- Front view mirror - Electrically heated

EXTERIOR EQUIPMENT

- Roof rails with full air deflector kit
- Roof mounted air horns
- Manual roof hatch with mosquito net
- Remote Central Locking
- Reverse alarm

LIGHTING

- H7 headlights
- End outline marker – White LED
- Identification lamp – White LED
- Boarding step lights
- Turntable light

SAFETY

- Driver seat belt pretensioner
- Driver and passenger side curtain air bag
- Electronic stabiliser program (ESP)
- Lane departure warning (LDW)
- Advanced emergency braking (AEB)
- Adaptive cruise control (ACC)

INTERIOR EQUIPMENT

- Premium driver's seat with armrest
- Medium passenger seat
- Black velour trim
- Cruise Control & Dash display controlled from the steering wheel
- Scania 7" colour dash display featuring rear axle load, hour meter, service and vehicle information
- Premium 7" Infotainment system
- Phone electrical preparation
- 12 V outlet in dash
- FMS Preparation
- Resettable circuit breakers
- Power windows
- Manual climate control with air conditioning
- 700 mm wide bed
- Curtains, windscreen, doors & bed
- Protective rubber floor mats
- UHF CB Radio

ADDITIONAL EQUIPMENT

- 20 m tyre inflation hose
- Jack & wheel brace
- Globe kit
- Driver's manual
- Three safety triangles

For more information contact your
Scania branch or local dealer.

HEAD OFFICE

212 – 216 Northbourne Rd
Campbellfield, 3061
Tel: (03) 9217 3300

VICTORIA

Scania Campbellfield
212 – 216 Northbourne Rd
Campbellfield, 3061
Tel: (03) 9217 3300

Scania Dandenong

2/66 Greens Rd
Dandenong South, 3175
Tel: (03) 9217 3600

Scania Laverton

125 – 129 Boundary Rd
Laverton, 3026
Tel: (03) 9369 8666

NEW SOUTH WALES

Scania Newcastle

1 Enterprise Drive
Beresfield, 2322
Tel: (02) 9825 7940

Scania Prestons

16 – 18 Lyn Pde
Prestons, 2170
Tel: (02) 9825 7900

K & J Trucks Pty Ltd

Lot 1 Pacific Highway
Boambee, 2450
Tel: (02) 6652 7218

QUEENSLAND

Scania Richlands

149 Archerfield Rd
Richlands, 4077
Tel: (07) 3712 8500

Scania Pinkenba

213 Holt St
Pinkenba, 4008
Tel: (07) 3712 7900

RSC Diesel

29 – 31 Ponzo St
Woree, 4868
Tel: (07) 4054 5440

SOUTH AUSTRALIA

Scania Wingfield

218 – 234 Cormack Rd
Wingfield, 5010
Tel: (08) 8406 0200

WESTERN AUSTRALIA

Scania Kewdale

527 – 529 Abernethy Rd
Kewdale, 6105
Tel: (08) 9360 8500

IMPORTANT. The specifications in this brochure were correct at the time of printing.
All weights and measurements are approximate only. Images in this brochure may
display some features not included in the standard specification. Scania Australia
reserves the right to change specifications without prior notice.

