



P 320

8X2 RIGID

CHASSIS SPECIFICATION

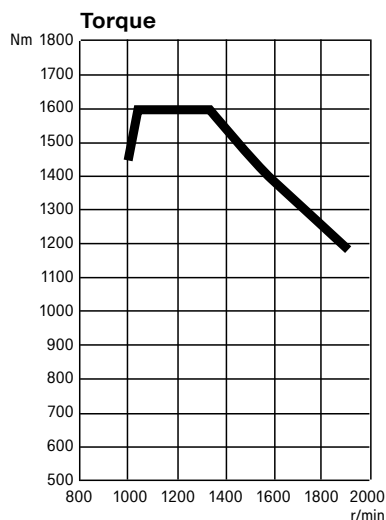
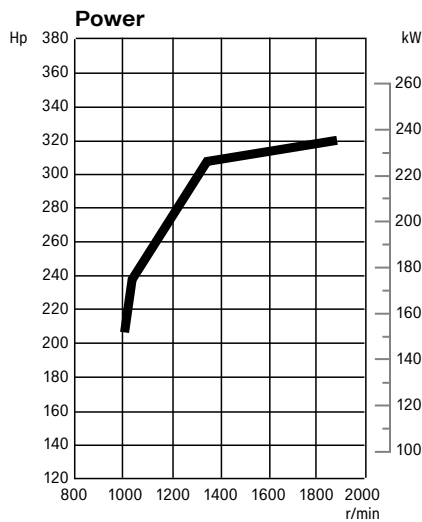


SCANIA

P 320

8X2 RIGID

CHASSIS SPECIFICATION



ENGINE

- Scania DC09 320 9.3 Litre In-line 5 cylinder
- Power – 320 hp (239 kW) @1900 rpm
- Torque – 1600 Nm (1180 lb-ft) @1050 - 1300 rpm
- Euro6 (ADR 80/03)

ENGINE FEATURES

- Scania Electronic Fuel Injection
- Single stage turbocharger
- SCR with Catalytic Converter
- Centrifugal engine oil filter
- Spin-on turbocharger oil filter
- Cartridge style fuel filters

FAN

- Electronically controlled viscous drive

ALTERNATOR

- Scania 24 V, 100 amp

COMPRESSOR

- Knorr 720, twin cylinder, 800 L/min with air drier

AIR CLEANER

- Mounted under the grille RH side

GEARBOX

- Scania GRS895R, Direct 12 speed
- With Scania Retarder

GEARBOX FEATURES

- Scania Opticruise with Fully Automated Clutch
- PTO – Electrical Preparation
- R3500 Retarder

FRONT & REAR AXLES

FRONT AXLES

- Scania AM640S

FRONT SUSPENSION

- Air suspension 7100 kg capacity with anti roll bar

REAR AXLES

- Scania AD400SA Axle housing
- Scania A600SA (tag axle)
- Scania R780 Differential
- Ratio 3.08 with differential lock

REAR SUSPENSION

- Scania 4 bag air suspension (19,000 kg capacity)

BRAKES

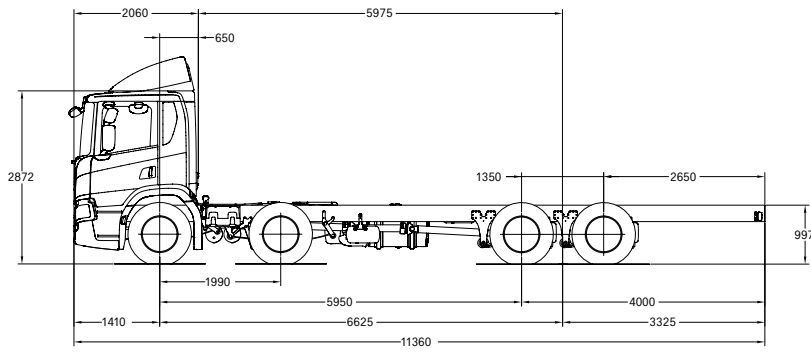
- Scania electronically controlled disc brakes
- EBS with integrated ABS and Traction Control
- Hill hold

WHEELS

- Steel Disc, Painted Silver
- 22.5" x 8.25" Tubeless rims
- 335 mm PCD

TYRES

- Front – Bridgestone 295/80 R22.5
- Rear – Bridgestone 295/80 R22.5



Tare Weight: Front = 7005 kg, Rear = 2790 kg, Total = 9795 kg

Tare Weight includes tanks full of fuel. It does not include bullbar or driver.

Weight Tolerance +/- 5%

CHASSIS

FRAME

- Scania F950 (270 x 90 x 9.5) mm
- Width 770mm

PAINT

- Scania Sub-Grey (Powder Coat)

FUEL TANKS & UREA

- 400 L (RH)
- 1x47 L Urea Tank (RH)

FRONT BUMPER

- High Mounted with FUP
- FUP to ECE R93

BATTERIES

- 24 V (2x12 V, 180 Ah) LH Side
- Chassis electrical connection for auxiliary equipment

TRAILER CONNECTIONS -

BRAKES

- Trailer Supply & Emergency to Rear of Chassis

TRAILER CONNECTIONS -

ELECTRICAL

- 24 V trailer light outlet (ISO 1185)
- 24 V trailer 7-pin ABS outlet
- Scania Body Work System with Cable Harness
- Front Mudguards with Spray suppression

CABIN

- Scania CP17 Low Cab with four point spring suspension

- Cab Strength to ECE R29

PAINT

- Cabin painted Scania white
- With Grey grille

MIRRORS

- Aerodynamic main & spotter mirrors electrically heated
- Electrically adjustable main mirrors
- Close up mirror on passenger side
- Front view mirror - Electrically heated

EXTERIOR EQUIPMENT

- Roof rails with full air deflector kit
- Remote Central Locking
- Reverse alarm

LIGHTING

- H7 headlights
- End outline marker – White LED
- Identification lamp – White LED
- Boarding step lights

SAFETY

- Driver and passenger seat belt pretensioner
- Driver and passenger side curtain air bag
- Lane departure warning (LDW)
- Advanced emergency braking (AEB)
- Adaptive cruise control (ACC)

INTERIOR EQUIPMENT

- Medium driver's seat with armrest
- Medium passenger seat
- Woven trim
- Cruise Control & Dash display controlled from the steering wheel
- Scania 7" colour dash display featuring rear axle load, hour meter, service and vehicle information
- Premium 7" Infotainment system
- Phone electrical preparation
- 12 V outlet in dash
- FMS Preparation
- Resettable circuit breakers
- Power windows
- Manual climate control with air conditioning
- Protective rubber floor mats
- UHF CB Radio

ADDITIONAL EQUIPMENT

- 20 m tyre inflation hose
- Jack & wheel brace
- Globe kit
- Driver's manual
- Three safety triangles

For more information contact your
Scania branch or local dealer.

HEAD OFFICE

212 – 216 Northbourne Rd
Campbellfield, 3061
Tel: (03) 9217 3300

VICTORIA

Scania Campbellfield
212 – 216 Northbourne Rd
Campbellfield, 3061
Tel: (03) 9217 3300

Scania Dandenong

2/66 Greens Rd
Dandenong South, 3175
Tel: (03) 9217 3600

Scania Laverton

125 – 129 Boundary Rd
Laverton, 3026
Tel: (03) 9369 8666

NEW SOUTH WALES

Scania Newcastle

1 Enterprise Drive
Beresfield, 2322
Tel: (02) 9825 7940

Scania Prestons

16 – 18 Lyn Pde
Prestons, 2170
Tel: (02) 9825 7900

K & J Trucks Pty Ltd

Lot 1 Pacific Highway
Boambee, 2450
Tel: (02) 6652 7218

QUEENSLAND

Scania Richlands

149 Archerfield Rd
Richlands, 4077
Tel: (07) 3712 8500

Scania Pinkenba

213 Holt St
Pinkenba, 4008
Tel: (07) 3712 7900

RSC Diesel

29 – 31 Ponzo St
Woree, 4868
Tel: (07) 4054 5440

SOUTH AUSTRALIA

Scania Wingfield

218 – 234 Cormack Rd
Wingfield, 5010
Tel: (08) 8406 0200

WESTERN AUSTRALIA

Scania Kewdale

527 – 529 Abernethy Rd
Kewdale, 6105
Tel: (08) 9360 8500

IMPORTANT. The specifications in this brochure were correct at the time of printing.
All weights and measurements are approximate only. Images in this brochure may
display some features not included in the standard specification. Scania Australia
reserves the right to change specifications without prior notice.

