



G 450/500

6X4 PRIME MOVER

CHASSIS SPECIFICATION

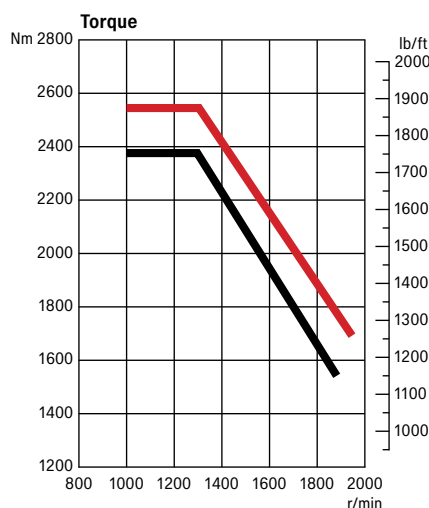
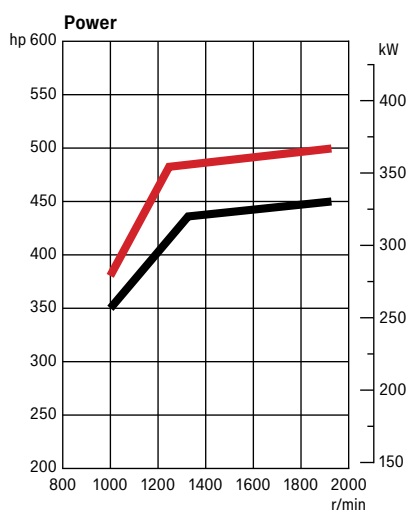


SCANIA

G 450/500

6X4 PRIME MOVER

CHASSIS SPECIFICATION



— G 500
— G 450

ENGINE

500

- Scania DC 13 500 12.7 Litre In-line 6 cylinder engine
- Power - 500hp (373kW) @1900rpm
- Torque - 2550Nm (1881ft/lb) @1000 - 1350rpm
- Euro 5 (ADR80/03)

450

- Scania DC 13 450 12.7 Litre In-line 6 cylinder engine
- Power - 450hp (335kW) @1900rpm
- Torque - 2350Nm (1733ft/lb) @1000 - 1300rpm
- EURO 6

ENGINE FEATURES

- Scania electronic fuel injection
- Single stage turbocharger
- SCR with catalytic converter
- Centrifugal engine oil filter
- Spin-on turbocharger oil filter
- Cartridge style fuel filters

FAN

- Electronically controlled viscous drive

ALTERNATOR

- Scania 24V, 100amp

COMPRESSOR

- Knorr 720, twin cylinder, 800L/min with air drier

AIR CLEANER

- Mounted under the grille R/H side

GEARBOX

- Scania GRSO905R, Overdrive 14 speed
- Scania Retarder

GEARBOX FEATURES

- Scania Opticruise with fully automatic clutch
- Gearbox oil cooler
- PTO - Electrical Preparation
- R3500 retarder

FRONT & REAR AXLES

FRONT AXLE

- Scania AM 420S

FRONT SUSPENSION

- 2 x 32 parabolic front springs 7100kg capacity with anti roll bar

REAR AXLES

- Scania AD200SA Axle housings
- Scania RB662/R660 Differentials
- Ratio 3.42 with power divider and differential locks

REAR SUSPENSION

- Scania 4 bag air suspension (19000kg capacity)

BRAKES

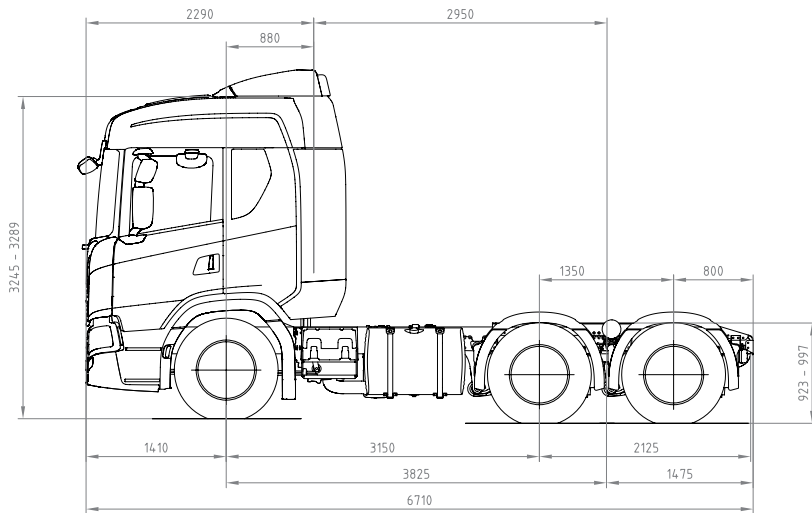
- Scania electronically controlled disc brakes
- EBS with integrated ABS and Traction Control
- Hill hold

WHEELS

- Steel disc painted silver
- 22.5" x 8.25" Tubeless rims
- 335mm PCD

TYRES

- Front - Bridgestone 295/80 R22.5
- Rear - Bridgestone 295/80 R22.5



Turntable mounting angles protrude 40mm above the chassis height.

Tare Weight: Front = 5340kg, Rear = 3645kg, Total = 8985kg.

Tare weight includes, tanks full of fuel.

It does not include turntable, bull bar or driver.

Tare weight may vary +/- 5% depending on vehicle specifications.

* Depend on chasis height and tyre size.

CHASSIS

FRAME

- Scania F950, 270 x 90 x 9.5mm
- Width 770mm

PAINT

- Scania Sub-Grey (Powder Coat)

AXLE DISTANCE

- 3150mm (3825mm wheel base)
- Rear overhang 1475mm

FUEL & UREA TANKS

- 700L (1x400L L/H, 1x300L R/H)
- 1 x 80L Urea tank R/H

FRONT BUMPER

- High Mounted FUP compliant bumper
- FUP to ECE R93

BATTERIES

- 24V (2x12V, 180amp) L/H Side
- Chassis electrical connection for auxiliary equipment

TRAILER CONNECTIONS -

BRAKES

- Trailer Supply & Emergency suzi coils

TRAILER CONNECTIONS -

ELECTRICAL

- 24V trailer light outlets (ISO 1185)
- Trailer lead 7pole to 7pole
- 24V trailer 7pin ABS outlet
- Scania Body Work System with Cable Harness
- Front Mudguards with Spray suppression
- Rear Mudguards with Spray suppression

CABIN

- Scania CG20 Normal Sleeper cab with four point spring suspension

- Cab Strength to ECE R29

PAINT

- Cabin painted Scania white
- With Brilliant Silver grille

MIRRORS

- Aerodynamic main & spotter mirrors electrically heated
- Electrically adjustable mirrors
- Close up mirror on passenger side
- Front view mirror electrically heated

EXTERIOR EQUIPMENT

- Roof rails with full air deflector kit
- Roof mounted air horns
- Manual roof hatch with mosquito net
- Central locking
- External storage compartments
- Reverse alarm

LIGHTING

- H7 headlights
- LED daytime running lights
- End outline marker - White LED
- Identification lamp - White LED
- Fog lights in bumper
- Boarding step lights
- Turntable light

SAFETY

- Driver seat belt pretensioner
- Driver's steering wheel air bag
- Lane departure warning (LDW)
- Advanced emergency braking (AEB)
- Adaptive cruise control (ACC)
- Electronic stabiliser program (ESP)
- Driver and passenger side curtain airbag

INTERIOR EQUIPMENT

- Premium driver's seat with armrests
- Medium passenger seat
- Black velour trim
- Cruise control and dash display controlled from the steering wheel
- Scania 7 inch colour dash display featuring rear axle load, hour meter, service and vehicle information
- Premium 7 inch infotainment system
- AUX MP3, input
- Phone electrical preparation
- 12V USB in dash
- FMS Preparation
- Resettable circuit breakers
- Power windows
- Manual climate control with air conditioning
- 700mm wide bed
- Curtains, windscreen & doors, bed
- Protective rubber floor mats
- UHF CB radio

ADDITIONAL EQUIPMENT

- 20m tyre inflation hose
- Jack & wheel brace
- Globe kit
- Drivers manual
- Three safety triangles

For more information contact your Scania branch or local dealer.

HEAD OFFICE

212 – 216 Northbourne Rd
Campbellfield, 3061
Tel: (03) 9217 3300

VICTORIA

Scania Campbellfield
212 – 216 Northbourne Rd
Campbellfield, 3061
Tel: (03) 9217 3300

Scania Dandenong

2/66 Greens Rd
Dandenong South, 3175
Tel: (03) 9217 3600

Scania Laverton

125 – 129 Boundary Rd
Laverton, 3026
Tel: (03) 9369 8666

NEW SOUTH WALES

Scania Newcastle

1 Enterprise Drive
Beresfield, 2322
Tel: (02) 9825 7940

Scania Prestons

16 – 18 Lyn Pde
Prestons, 2170
Tel: (02) 9825 7900

K & J Trucks Pty Ltd

Lot 1 Pacific Highway
Boambee, 2450
Tel: (02) 6652 7218

QUEENSLAND

Scania Richlands

149 Archerfield Rd
Richlands, 4077
Tel: (07) 3712 8500

Scania Pinkenba

213 Holt St
Pinkenba, 4008
Tel: (07) 3712 7900

RSC Diesel

29 – 31 Ponzo St
Woree, 4868
Tel: (07) 4054 5440

**Wideland AG
& Construction**

55 – 57 Carrington Rd
Toowoomba, 4350
Tel: (07) 4633 1872

SOUTH AUSTRALIA

Scania Wingfield

218 – 234 Cormack Rd
Wingfield, 5010
Tel: (08) 8406 0200

WESTERN AUSTRALIA

Scania Kewdale

527 – 529 Abernethy Rd
Kewdale, 6105
Tel: (08) 9360 8500

IMPORTANT. The specifications in this brochure were correct at the time of printing. All weights and measurements are approximate only. Images in this brochure may display some features not included in the standard specification. Scania Australia reserves the right to change specifications without prior notice.

