



P 450

8X4 RIGID

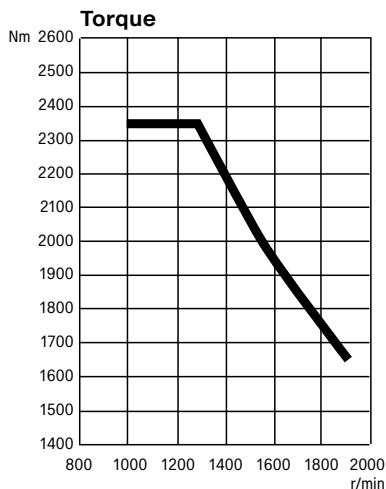
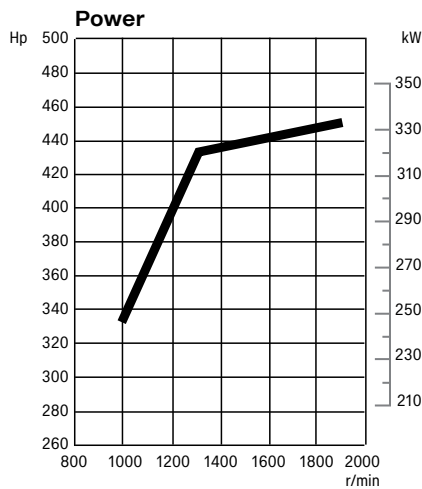
CHASSIS SPECIFICATION



SCANIA

P 450 8X4 RIGID

CHASSIS SPECIFICATION



ENGINE

- Scania DC13 143 13 Litre In-line 6 cylinder
- Power – 450 hp (331 kW) @1900 rpm
- Torque – 2,350 Nm (1,733 lb-ft) @1000 - 1300 rpm
- Euro5

ENGINE FEATURES

- Scania XPI Electronic Fuel Injection
- Fixed Geometry Turbocharger
- SCR Emission System
- Centrifugal engine oil cleaner
- Spin-on engine oil filter
- Cartridge style fuel filters

FAN

- 11 Blade Electronically Controlled Viscous Drive

ALTERNATOR

- Scania 24 V, 100 amp

AIR CLEANER

- Mounted under the grille RH side

GEARBOX

- Scania GRS905R, Opticruise
- With Scania Retarder

GEARBOX FEATURES

- Scania Opticruise with Fully Automated Clutch
- PTO – Electrical Preparation
- Clutch Independent PTO - EDI20P

FRONT & REAR AXLES

FRONT AXLES

- Scania AM640S

FRONT SUSPENSION

- Scania 2 bag air suspension

REAR AXLES

- Scania AD400SA axle housing
- Scania RB662 Differential
- Ratio 3.07 with differential lock

REAR SUSPENSION

- Scania 2 bag air suspension (with load transfer)

BRAKES

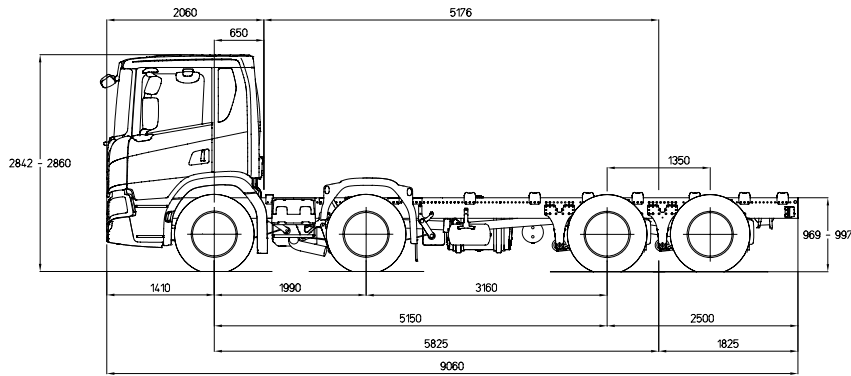
- Scania electronically controlled disc brakes
- EBS with integrated ABS
- Hill hold

WHEELS

- Steel Disc, Painted Silver
- 22.5" x 8.25" Tubeless rims

TYRES

- Front – Continental 295/80 R22.5
- Rear – Continental 295/80 R22.5



Tare Weight: Front = 7,127 kg, Rear = 2,773 kg, Total = 9,900 kg

Tare Weight includes tanks full of fuel. It does not include bullbar or driver.

Weight Tolerance +/- 5%

CHASSIS

FRAME

- Scania F950
- Width 770mm

PAINT

- Scania Sub-Grey (Powder Coat)

FUEL TANKS & UREA

- 350 L (RH)
- 1x80 L Urea Tank (RH)

FRONT BUMPER

- High Mounted with FUP
- FUP to ECE R93

BATTERIES

- 24 V (2x12 V, 180 Ah) LH Side
- Chassis electrical connection for auxiliary equipment

TRAILER CONNECTIONS -

BRAKES

- Trailer Supply & Emergency to rear of Frame

TRAILER CONNECTIONS -

ELECTRICAL

- Scania Body Work System with Cable Harness
- Front Mudguards

CABIN

- Scania CP17 Low Cab with four point spring suspension

- Cab Strength to ECE R29

PAINT

- Cabin painted Scania Ivory white
- With Steel Grey & Brilliant Silver grille

MIRRORS

- Aerodynamic main & spotter mirrors electrically heated
- Electrically adjustable main mirrors
- Close up mirror on passenger side
- Front view mirror - Electrically heated

EXTERIOR EQUIPMENT

- Roof rails
- Remote Central Locking
- Reverse alarm

LIGHTING

- H7 headlights
- End outline marker – White LED
- Identification lamp – White LED
- Boarding step lights

SAFETY

- Driver and passenger seat belt pretensioner
- Driver and passenger side curtain air bag
- Lane departure warning (LDW)
- Advanced emergency braking (AEB)
- Adaptive cruise control (ACC)

INTERIOR EQUIPMENT

- Medium driver's seat with armrest
- Medium passenger seat
- Woven trim
- Cruise Control & Dash display controlled from the steering wheel
- Scania 7" colour dash display featuring rear axle load, hour meter, service and vehicle information
- Premium 5" Infotainment system
- Phone electrical preparation
- 12 V outlet in dash
- FMS Preparation
- Resettable circuit breakers
- Power windows
- Manual climate control with air conditioning
- Protective rubber floor mats
- Rear lower storage with refrigerator
- UHF CB Radio

ADDITIONAL EQUIPMENT

- 20 m tyre inflation hose
- Jack & wheel brace
- Globe kit
- Driver's manual
- Three safety triangles

For more information contact your Scania branch or local dealer.

HEAD OFFICE

212 – 216 Northbourne Rd
Campbellfield, 3061
Tel: (03) 9217 3300

VICTORIA

Scania Campbellfield
212 – 216 Northbourne Rd
Campbellfield, 3061
Tel: (03) 9217 3300

Scania Dandenong

2/66 Greens Rd
Dandenong South, 3175
Tel: (03) 9217 3600

Scania Laverton

125 – 129 Boundary Rd
Laverton, 3026
Tel: (03) 9369 8666

NEW SOUTH WALES

Scania Newcastle

1 Enterprise Drive
Beresfield, 2322
Tel: (02) 9825 7940

Scania Prestons

16 – 18 Lyn Pde
Prestons, 2170
Tel: (02) 9825 7900

K & J Trucks Pty Ltd

Lot 1 Pacific Highway
Boambee, 2450
Tel: (02) 6652 7218

QUEENSLAND

Scania Richlands

149 Archerfield Rd
Richlands, 4077
Tel: (07) 3712 8500

Scania Pinkenba

213 Holt St
Pinkenba, 4008
Tel: (07) 3712 7900

RSC Diesel

29 – 31 Ponzo St
Woree, 4868
Tel: (07) 4054 5440

SOUTH AUSTRALIA

Scania Wingfield

218 – 234 Cormack Rd
Wingfield, 5010
Tel: (08) 8406 0200

WESTERN AUSTRALIA

Scania Kewdale

527 – 529 Abernethy Rd
Kewdale, 6105
Tel: (08) 9360 8500

IMPORTANT. The specifications in this brochure were correct at the time of printing. All weights and measurements are approximate only. Images in this brochure may display some features not included in the standard specification. Scania Australia reserves the right to change specifications without prior notice.

