



# G 450/500

# 6X4 PRIME MOVER

## CHASSIS SPECIFICATION

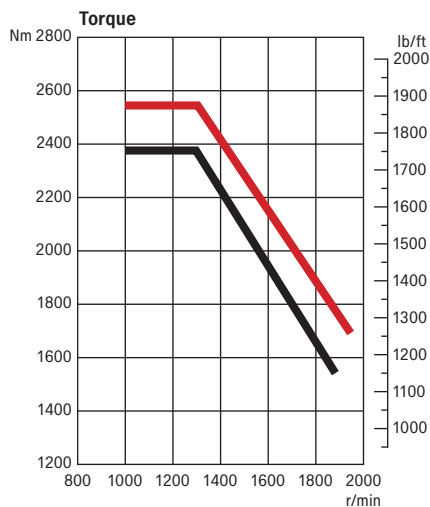
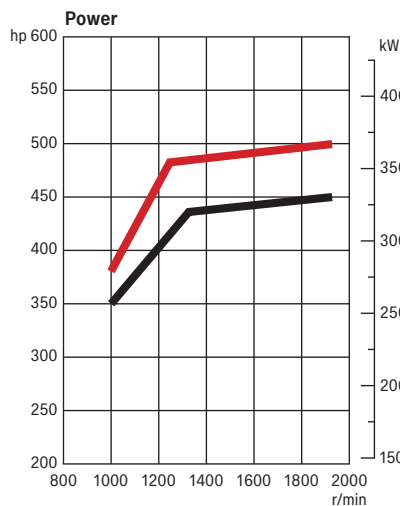


**SCANIA**

# G 450/500

## 6X4 PRIME MOVER

### CHASSIS SPECIFICATION



— G 500  
— G 450

#### ENGINE

##### 500

- Scania DC 13 500 12.7 Litre In-line 6 cylinder engine
- Power - 500hp (373kW) @1900rpm
- Torque - 2550Nm (1881ft/lb) @1000 - 1350rpm
- Euro 5 (ADR80/03)

##### 450

- Scania DC 13 450 12.7 Litre In-line 6 cylinder engine
- Power - 450hp (335kW) @1900rpm
- Torque - 2350Nm (1733ft/lb) @1000 - 1300rpm
- EURO 6

#### ENGINE FEATURES

- Scania electronic fuel injection
- Single stage turbocharger
- SCR with catalytic converter
- Centrifugal engine oil filter
- Spin-on turbocharger oil filter
- Cartridge style fuel filters

#### FAN

- Electronically controlled viscous drive

#### ALTERNATOR

- Scania 24V, 100amp

#### COMPRESSOR

- Knorr 720, twin cylinder, 800L/min with air drier

#### AIR CLEANER

- Mounted under the grille R/H side

#### GEARBOX

- Scania GRSO905R, Overdrive 14 speed
- Scania Retarder

#### GEARBOX FEATURES

- Scania Opticruise with fully automatic clutch
- Gearbox oil cooler
- PTO - Electrical Preparation
- R3500D retarder

#### FRONT & REAR AXLES

##### FRONT AXLE

- Scania AM 420S

##### FRONT SUSPENSION

- 2 x 32 parabolic front springs 7100kg capacity with anti roll bar

##### REAR AXLES

- Scania AD200SA Axle housings
- Scania RB662/R660 Differentials
- Ratio 3.42 with power divider and differential locks

##### REAR SUSPENSION

- Scania 4 bag air suspension (19000kg capacity)

##### BRAKES

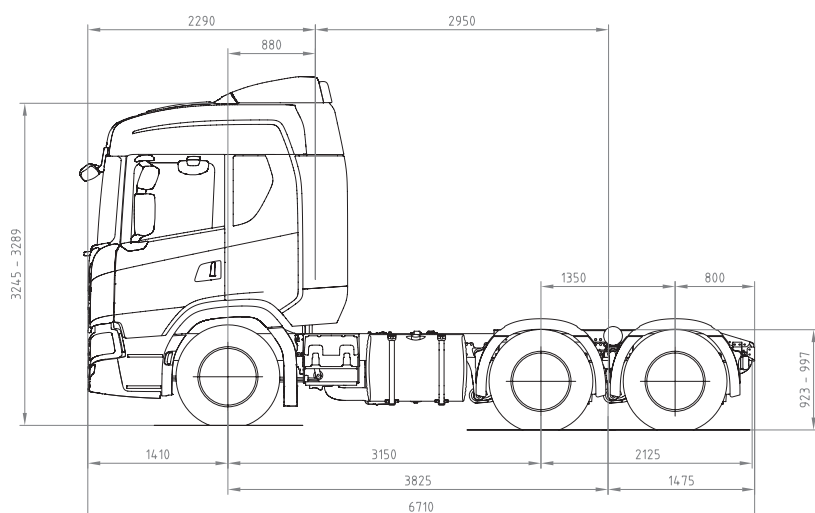
- Scania electronically controlled disc brakes
- EBS with integrated ABS and Traction Control
- Hill hold

##### WHEELS

- Steel disc painted silver
- 22.5" x 8.25" Tubeless rims
- 335mm PCD

##### TYRES

- Front - Bridgestone 295/80 R22.5
- Rear - Bridgestone 295/80 R22.5



Turntable mounting angles protrude 40mm above the chassis height.

Tare Weight: Front = 5340kg, Rear = 3645kg, Total = 8985kg.

Tare weight includes, tanks full of fuel. It does not include turntable, bull bar or driver.

Tare weight may vary +/- 5% depending on vehicle specifications.

\* Depend on chasis height and tyre size.

## CHASSIS

### FRAME

- Scania F950, 270 x 90 x 9.5mm
- Width 770mm

### PAINT

- Scania Sub-Grey (Powder Coat)

### AXLE DISTANCE

- 3150mm (3825mm wheel base)
- Rear overhang 1475mm

### FUEL & UREA TANKS

- 700L (1x400L L/H, 1x300L R/H)
- 1 x 80L Urea tank R/H

### FRONT BUMPER

- High Mounted FUP compliant bumper
- FUP to ECE R93

### BATTERIES

- 24V (2x12V, 180amp) L/H Side
- Chassis electrical connection for auxiliary equipment

### TRAILER CONNECTIONS -

#### BRAKES

- Trailer Supply & Emergency suzi coils

### TRAILER CONNECTIONS -

#### ELECTRICAL

- 24V trailer light outlets (ISO 1185)
- Trailer lead 7pole to 7pole
- 24V trailer 7pin ABS outlet
- Scania Body Work System with Cable Harness
- Front Mudguards with Spray suppression
- Rear Mudguards with Spray suppression

## CABIN

- Scania CG20 Normal Sleeper cab with four point spring suspension
- Cab Strength to ECE R29

### PAINT

- Cabin painted Scania white
- With Brilliant Silver grille

### MIRRORS

- Aerodynamic main & spotter mirrors electrically heated
- Electrically adjustable mirrors
- Close up mirror on passenger side
- Front view mirror electrically heated

### EXTERIOR EQUIPMENT

- Roof rails with full air deflector kit
- Roof mounted air horns
- Manual roof hatch with mosquito net
- Central locking
- External storage compartments
- Reverse alarm

### LIGHTING

- H7 headlights
- LED daytime running lights
- End outline marker - White LED
- Identification lamp - White LED
- Fog lights in bumper
- Boarding step lights
- Turntable light

### SAFETY

- Driver seat belt pretensioner
- Driver's steering wheel air bag
- Lane departure warning (LDW)
- Advanced emergency braking (AEB)
- Adaptive cruise control (ACC)
- Electronic stabiliser program (ESP)
- Driver and passenger side curtain airbag

## INTERIOR EQUIPMENT

- Premium driver's seat with armrests
- Medium passenger seat
- Black velour trim
- Cruise control and dash display controlled from the steering wheel
- Scania 7 inch colour dash display featuring rear axle load, hour meter, service and vehicle information
- Premium 7 inch infotainment system
- AUX MP3, input
- Phone electrical preparation
- 12V USB in dash
- FMS Preparation
- Resettable circuit breakers
- Power windows
- Manual climate control with air conditioning
- 700mm wide bed
- Curtains, windscreen & doors, bed
- Protective rubber floor mats
- UHF CB radio

## ADDITIONAL EQUIPMENT

- 20m tyre inflation hose
- Jack & wheel brace
- Globe kit
- Drivers manual
- Three safety triangles

For more information contact your Scania branch or local dealer.

#### **HEAD OFFICE**

212 – 216 Northbourne Rd  
Campbellfield, 3061  
Tel: (03) 9217 3300

#### **VICTORIA**

**Scania Campbellfield**  
212 – 216 Northbourne Rd  
Campbellfield, 3061  
Tel: (03) 9217 3300

#### **Scania Dandenong**

2/66 Greens Rd  
Dandenong South, 3175  
Tel: (03) 9217 3600

#### **Scania Laverton**

125 – 129 Boundary Rd  
Laverton, 3026  
Tel: (03) 9369 8666

#### **NEW SOUTH WALES**

#### **Scania Newcastle**

1 Enterprise Drive  
Beresfield, 2322  
Tel: (02) 9825 7940

#### **Scania Prestons**

16 – 18 Lyn Pde  
Prestons, 2170  
Tel: (02) 9825 7900

#### **K & J Trucks Pty Ltd**

Lot 1 Pacific Highway  
Boambee, 2450  
Tel: (02) 6652 7218

#### **QUEENSLAND**

#### **Scania Richlands**

149 Archerfield Rd  
Richlands, 4077  
Tel: (07) 3712 8500

#### **Scania Pinkenba**

213 Holt St  
Pinkenba, 4008  
Tel: (07) 3712 7900

#### **RSC Diesel**

29 – 31 Ponzo St  
Woree, 4868  
Tel: (07) 4054 5440

#### **Wideland AG**

**& Construction**  
55 – 57 Carrington Rd  
Toowoomba, 4350  
Tel: (07) 4633 1872

#### **SOUTH AUSTRALIA**

#### **Scania Wingfield**

218 – 234 Cormack Rd  
Wingfield, 5010  
Tel: (08) 8406 0200

#### **WESTERN AUSTRALIA**

#### **Scania Kewdale**

527 – 529 Abernethy Rd  
Kewdale, 6105  
Tel: (08) 9360 8500

IMPORTANT. The specifications in this brochure were correct at the time of printing. All weights and measurements are approximate only. Images in this brochure may display some features not included in the standard specification. Scania Australia reserves the right to change specifications without prior notice.

