



R 730

6X4 PRIME MOVER

CHASSIS SPECIFICATION

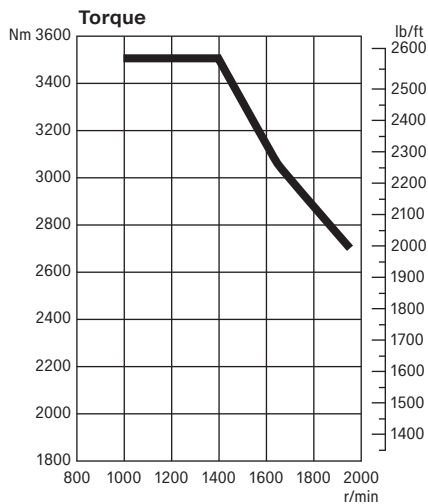
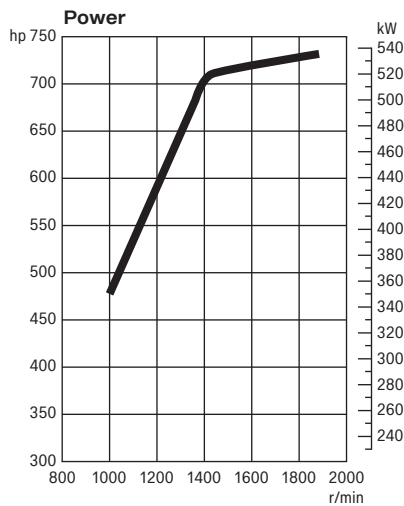


SCANIA

R 730

6X4 PRIME MOVER

CHASSIS SPECIFICATION



ENGINE

- Scania DC16 730 16.4 Litre 90° V8
- Power - 730hp (537kW) @ 1900rpm
- Torque - 3500 Nm (2581ft/lb) @ 1000 - 1400rpm
- EURO6 (SCR + EGR)

ENGINE FEATURES

- Scania XPI fuel injection
- Variable geometry turbocharger
- EGR/SCR with catalytic converter
- Centrifugal engine oil filter
- Spin-on turbocharger oil filter
- Cartridge style fuel filters

FAN

- Electronically controlled viscous drive

ALTERNATOR

- Scania 24 V, 150 amp

COMPRESSOR

- Knorr 720, twin cylinder, 800 L/min with air drier

AIR CLEANER

- Mounted under front grille

GEARBOX

- Scania GRS0925R, Overdrive 14 speed
- Scania Retarder

GEARBOX FEATURES

- Scania Opticruise
- Gearbox oil cooler
- PTO - Electrical Preparation
- R4100D Retarder

FRONT & REAR AXLES

FRONT AXLE

- Scania AM420S

FRONT SUSPENSION

- 3x29 parabolic front springs, 7500kg capacity with anti roll bar

REAR AXLES

- Scania AD200SA Axle housings
- Scania RB662/R660 Differentials
- Ratio 3.42 with power divider and differential locks

REAR SUSPENSION

- Scania 4 bag air suspension (19000kg capacity)

BRAKES

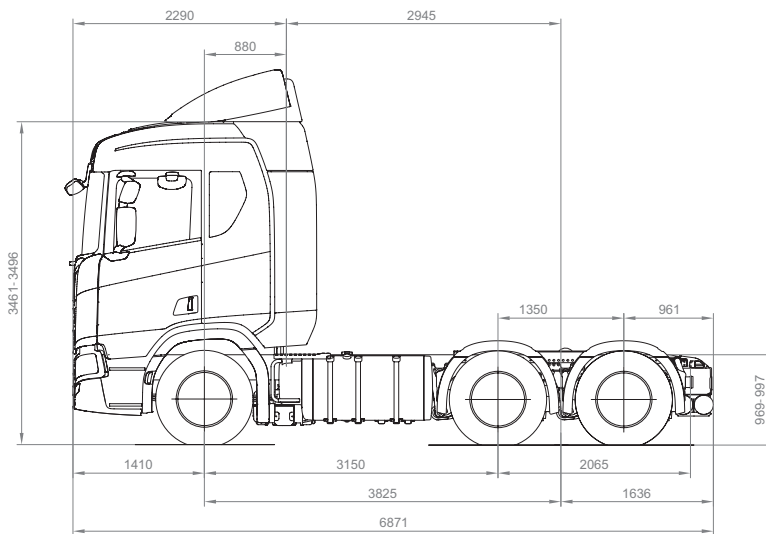
- Scania electronically controlled disc brakes
- EBS with integrated ABS and Traction Control
- Hill hold

WHEELS

- Alcoa Aluminum Disc polished, 22.5" x 8.25" tubeless rims
- 335mm PCD

TYRES

- Front - Bridgestone 295/80 R22.5
- Rear - Bridgestone 295/80 R22.5



Turntable mounting angles protrude 40mm above the chassis height.

Tare Weight: Front = 6370kg, Rear = 4205kg, Total = 10575kg.

Tare weight includes, tanks full of fuel and urea. It does not include turntable, bull bar or driver.

Tare weight may vary +/- 5% depending on vehicle specifications.

CHASSIS

FRAME

- Scania F950, 270 x 90 x 9.5mm
- Width 770mm

PAINT

- Scania Sub-Grey (Powder Coat)

AXLE DISTANCE

- 3150mm (3825mm wheel base)
- Rear overhang 1636mm

FUEL & UREA TANKS

- 1030L (1x710L L/H, 1x320L R/H)
- 1x75L Urea tank R/H

FRONT BUMPER

- Normal FUP compliant bumper
- FUP to ECE R93

BATTERIES

- 24V (2x12V, 230amp) rear of chassis
- Chassis electrical connection for auxiliary equipment (Max 200amps)

TRAILER CONNECTIONS - BRAKES

- Trailer Supply & Emergency suzi coils

TRAILER CONNECTIONS - ELECTRICAL

- 12V & 24V trailer light outlets (ISO 1185)
- Trailer lead 7pole to 7pole
- 24V trailer 7pin ABS outlet
- Scania Body Work System with Cable Harness
- Front Mudguards with Spray suppression
- Rear Mudguards with Spray suppression

CABIN

- Scania CR20 High Roof Sleeper cab with four point air suspension
- Electric cab tilt
- Cab Strength to ECE R29

PAINT

- Cab Painted
- Scania White
- With Brilliant Black grille
- Cab colour bumper & front guards

MIRRORS

- Aerodynamic main & spotter mirrors electrically heated
- Electrically adjustable main mirrors
- Close up mirror on passenger side

EXTERIOR EQUIPMENT

- Roof rails with full air foil kit
- Electric roof hatch with mosquito net
- Remote Central Locking
- External storage compartments
- Reverse Alarm

LIGHTING

- LED headlights
- Day time running lights - White LED
- End outline marker - White LED
- Identification lights - White LED
- Driving lights in roof
- Driving lights in grille
- Boarding step lights
- Turntable light
- Fog lights in bumper

SAFETY

- Driver seat belt pretensioner
- Drivers steering wheel air bags
- Driver and passenger side curtain air bag
- Lane departure warning (LDW)
- Electronic stabiliser program (ESP)
- Advanced emergency braking (AEB)
- Adaptive cruise control (ACC)

INTERIOR EQUIPMENT

- Premium driver's seat with armrest
- Medium passenger seat
- Black leather trim
- Soft feel black/grey dash with centre storage and passenger table with dark chrome trim
- Black leather steering wheel
- With Cruise Control & Dash display controlled from steering wheel
- Scania 7 inch colour dash display featuring rear axle load, hour meter, service and vehicle information
- Premium 7 inch infotainment system
- AUX MP3, input
- Phone electrical preparation
- 12V outlet in dash
- FMS Preparation
- Resettable Circuit breakers
- Power Windows - Driver & Passenger
- Automatic Climate Control with Air conditioning
- Refrigerator/freezer under bunk
- Lower Bed, extendable from 800mm to 1000mm
- Upper Bed, 700mm
- Curtains, Windscreen & Door, Bed
- Protective rubber floor mats
- UHF CB radio

ADDITIONAL EQUIPMENT

- 20m Tyre inflation hose
- Jack & wheel brace
- Globe Kit
- Drivers Manual
- Three Safety Triangles

For more information contact your Scania branch or local dealer.

HEAD OFFICE

212 – 216 Northbourne Rd
Campbellfield, 3061
Tel: (03) 9217 3300

VICTORIA

Scania Campbellfield
212 – 216 Northbourne Rd
Campbellfield, 3061
Tel: (03) 9217 3300

Scania Dandenong

2/66 Greens Rd
Dandenong South, 3175
Tel: (03) 9217 3600

Scania Laverton

125 – 129 Boundary Rd
Laverton, 3026
Tel: (03) 9369 8666

NEW SOUTH WALES

Scania Prestons
16 – 18 Lyn Pde
Prestons, 2170
Tel: (02) 9825 7900

Midcoast Trucks

Lot 1 Pacific Highway
Boambee, 2450
Tel: (02) 6652 7218

QUEENSLAND

Scania Richlands
149 Archerfield Rd
Richlands, 4077
Tel: (07) 3712 8500

Scania Pinkenba

213 Holt St
Pinkenba, 4008
Tel: (07) 3712 7900

SOUTH AUSTRALIA

Scania Wingfield
218 – 234 Cormack Rd
Wingfield, 5010
Tel: (08) 8406 0200

WESTERN AUSTRALIA

Scania Kewdale
527 – 529 Abernethy Rd
Kewdale, 6105
Tel: (08) 9360 8500

IMPORTANT. The specifications in this brochure were correct at the time of printing. All weights and measurements are approximate only. Images in this brochure may display some features not included in the standard specification. Scania Australia reserves the right to change specifications without prior notice.

