



P 280 6X2 RIGID

CHASSIS SPECIFICATION

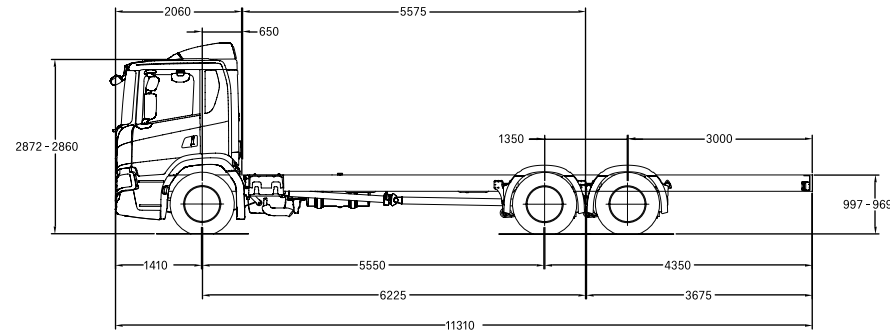


SCANIA

P 280

6X2 RIGID

CHASSIS SPECIFICATION

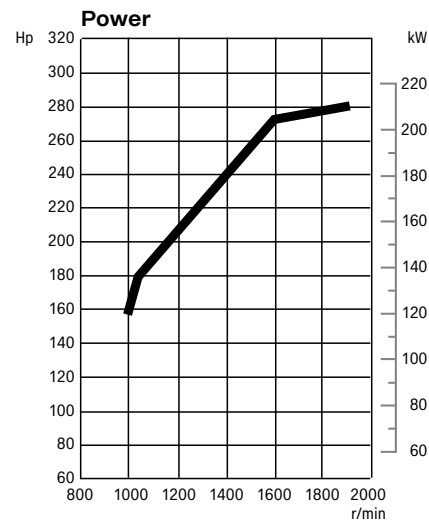


Turntable mounting angles protrude 40 mm above the chassis.

Tare Weight: Front = 4627 kg, Rear = 3762 kg, Total = 7889 kg

Tare Weight includes tanks full of fuel. It does not include bullbar or driver.

Weight Tolerance +/- 5%



ENGINE

- Scania DC07 280 7.0 Litre In-line 6 cylinder
- Power – 280 hp (206 kW) @1900 rpm
- Torque – 1200 Nm (885 lb-ft) @1050 - 1600 rpm
- Euro6 (ADR 80/03)

ENGINE FEATURES

- Scania XPI fuel injection
- Scania SCR with catalytic converter
- Scania DPF particulate filter

FAN

- Electronically controlled viscous drive

ALTERNATOR

- Scania 24 V, 120 amp

COMPRESSOR

- Knorr 720, twin cylinder, 800 L/min with air drier

AIR CLEANER

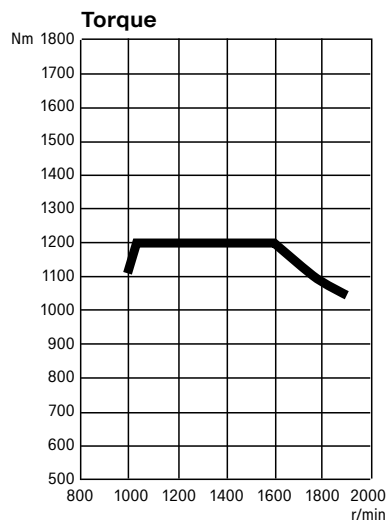
- Mounted under the grille RH side

GEARBOX

- Scania GRS895, Direct 12 speed

GEARBOX FEATURES

- Scania Opticruise with Fully Automated Clutch



FRONT & REAR AXLES

FRONT AXLES

- Scania AM660S

FRONT SUSPENSION

- 2 x 33 parabolic front springs 7500 kg capacity with anti roll bar

REAR AXLES

- Scania AD200SA Axle housings
- Scania A600SA (tag axle)
- Scania R660 Differential
- Ratio 3.42 with differential lock

REAR SUSPENSION

- Scania 4 bag air suspension (19,000 kg capacity)

BRAKES

- Scania electronically controlled disc brakes
- EBS with integrated ABS and Traction Control
- Hill hold

WHEELS

- Alcoa DuraBright
- 22.5" x 8.25" Tubeless rims
- 335 mm PCD

TYRES

- Front – Bridgestone 295/80R22.5
- Rear – Bridgestone 295/80R22.5

CHASSIS

FRAME

- Scania F950 (270 x 90 x 9.5) mm
- Width 770mm
- Front Mudguards with Spray suppression

PAINT

- Scania Sub-Grey (Powder Coat)

FUEL TANKS & UREA

- 300L (RHS)
- 47L (RHS)

BATTERIES

- 24 V (2x12 V, 180 Ah) LH Side
- Chassis electrical connection for auxiliary equipment
- Scania Body Work Electrical System with Cable Harness

CABIN

- Scania CP17 Low with four point spring suspension
- Cab Strength to ECE R29

PAINT

- Cabin painted Scania white
- With Silver grille

MIRRORS

- Aerodynamic main & spotter mirrors electrically heated
- Electrically adjustable main mirrors
- Close up mirror on passenger side
- Front view mirror - Electrically heated

EXTERIOR EQUIPMENT

- Roof rails with full air deflector kit
- Remote Central Locking
- Reverse alarm

LIGHTING

- H7 headlights
- End outline marker – White LED
- Identification lamp – White LED
- Boarding step lights

SAFETY

- Driver and passenger seat belt pretensioner
- Driver and passenger side curtain air bag
- Electronic stabiliser program (ESP)
- Lane departure warning (LDW)
- Advanced emergency braking (AEB)

INTERIOR EQUIPMENT

- Medium driver's seat with armrest
- Medium passenger seat with armrest
- Woven trim
- Cruise Control & Dash display controlled from the steering wheel
- Scania 7" colour dash display featuring rear axle load, hour meter, service and vehicle information
- Premium 7" Infotainment system
- Phone electrical preparation
- 12 V outlet in dash
- FMS Preparation
- Resettable circuit breakers
- Power windows
- Manual climate control with air conditioning
- Protective fabric floor mats
- UHF CB Radio

ADDITIONAL EQUIPMENT

- 20 m tyre inflation hose
- Jack & wheel brace
- Globe kit
- Driver's manual
- Three safety triangles

For more information contact your
Scania branch or local dealer.

HEAD OFFICE

212 – 216 Northbourne Rd
Campbellfield, 3061
Tel: (03) 9217 3300

VICTORIA

Scania Campbellfield
212 – 216 Northbourne Rd
Campbellfield, 3061
Tel: (03) 9217 3300

Scania Dandenong

2/66 Greens Rd
Dandenong South, 3175
Tel: (03) 9217 3600

Scania Laverton

125 – 129 Boundary Rd
Laverton, 3026
Tel: (03) 9369 8666

NEW SOUTH WALES

Scania Prestons

16 – 18 Lyn Pde
Prestons, 2170
Tel: (02) 9825 7900

Midcoast Trucks

Lot 1 Pacific Highway
Boambee, 2450
Tel: (02) 6652 7218

QUEENSLAND

Scania Richlands

149 Archerfield Rd
Richlands, 4077
Tel: (07) 3712 8500

Scania Pinkenba

213 Holt St
Pinkenba, 4008
Tel: (07) 3712 7900

SOUTH AUSTRALIA

Scania Wingfield

218 – 234 Cormack Rd
Wingfield, 5010
Tel: (08) 8406 0200

WESTERN AUSTRALIA

Scania Kewdale

527 – 529 Abernethy Rd
Kewdale, 6105
Tel: (08) 9360 8500

IMPORTANT. The specifications in this brochure were correct at the time of printing.
All weights and measurements are approximate only. Images in this brochure may
display some features not included in the standard specification. Scania Australia
reserves the right to change specifications without prior notice.

