

EXPLORE OUR SMART SERVICES

[Click to start](#)



Touch below to explore the full range



OUR DIGITAL ECOSYSTEM

CONTROL PACKAGE

SERVICES 360

SAFETY

CHARGING SERVICES

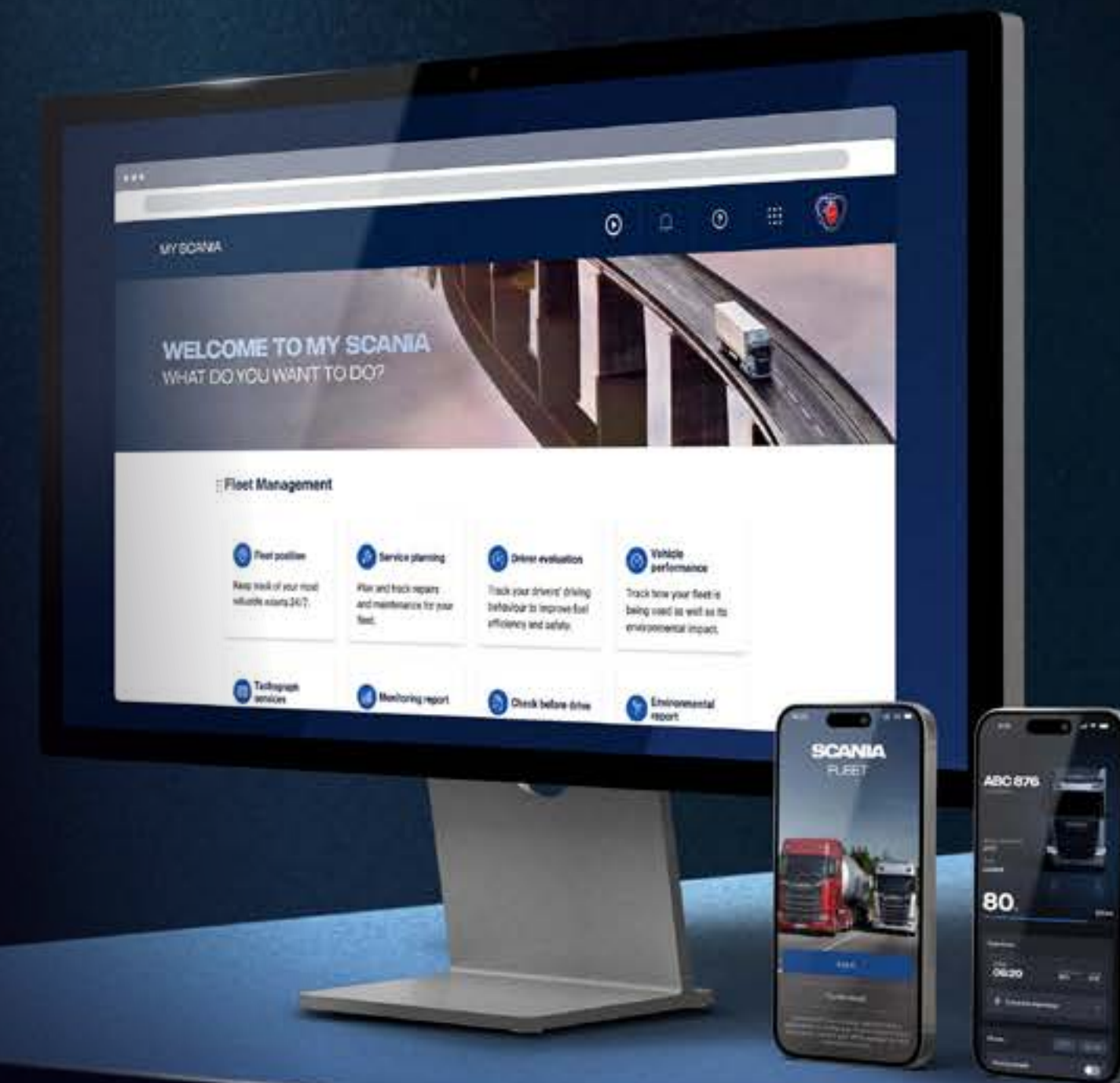
SCANIA FINANCE

MY SCANIA AND OUR DIGITAL ECOSYSTEM

Strengthen your emergency operations with the Scania digital ecosystem. From your desk or on the go – wherever and whenever you need it.

My Scania is a web-based portal delivering actionable data and tools to maximise vehicle readiness, safety and operational control.

- One account for the complete digital ecosystem with Scania ID.
- Available in more than 30 languages.
- User self-management and a variety of roles and permissions.
- For Scania fleets, multi-brand fleets and trailers.
- All features designed to increase efficiency and reduce downtime:
 - Schedule workshop visits, plan routes, locate vehicles
 - Monitor your fleets' health and drivers' performance
 - Measure fuel efficiency and CO₂ emission
 - ... and much more



MY SCANIA

SCANIA FLEET APP

SCANIA DRIVER APP



OUR DIGITAL ECOSYSTEM

CONTROL PACKAGE

SERVICES 360

SAFETY

CHARGING SERVICES

SCANIA FINANCE



SCANIA FLEET APP

Accessible and easy to use support of your daily tasks and fleet management, for both Android and iOS.

- Real-time view of connected vehicles **positions**.
- Information about the **drivers' driving**.
- Information about your **fleet's vehicles**.
- View **reported vehicle defects**.
- See any **service bookings** your vehicles have.
- Access your My Scania contacts in your **address book**.



MY SCANIA

SCANIA FLEET APP

SCANIA DRIVER APP



OUR DIGITAL ECOSYSTEM

CONTROL PACKAGE

SERVICES 360

SAFETY

CHARGING SERVICES

SCANIA FINANCE



SCANIA DRIVER APP

The **Scania Driver app** is the main contact point for drivers into the Scania **digital ecosystem**, focusing on driver-centric features and integrating relevant fleet services.

- Streamlines drivers' **administrative tasks and interaction with the fleet office.**
- Features include service booking, remote heater control, and performance checking.
- Driver support tools such as Scania ProDriver supports the driver to a safe and efficient driving.



MY SCANIA

SCANIA FLEET APP

SCANIA DRIVER APP



OUR DIGITAL ECOSYSTEM

CONTROL PACKAGE

SERVICES 360

SAFETY

CHARGING SERVICES

SCANIA FINANCE

CONTROL PACKAGE

The Control Package offers a suite of digital services for real-time visibility, smarter maintenance planning, and data-driven insights to keep vehicles ready and reliable, for both BEV and ICE vehicles.

Fleet Positioning

Includes maps, vehicle overview, tracking, geofencing and activity history. Operators can view all vehicles in real time, see individual vehicle positions, and closely follow operations. Geofencing allows predefined zones to be set, and activity history provides a record of routes, stops and movements over time for review and analysis.

Vehicle Performance

Provides data on vehicle condition and usage. This includes metrics such as fuel or energy consumption, CO₂ emissions, and current energy levels for electrified vehicles. Supports monitoring of vehicle status, identifying deviations, and understanding how vehicles are operated, enabling better planning of maintenance and more efficient use of the fleet.

Service Planning and Monitoring Report are included.



SERVICES 360

SERVICES 360 provide a comprehensive and strong selection of vehicle service packages, offering customisable options to suit diverse business and operational needs, founded on our smart Flexible Maintenance planning and a suite of digital tools and services.

SERVICES 360 aims to align with your business strategy and operational requirements to provide maximum value.

Four package options:

PRO: Proactive vehicle maintenance and repair coverage

FULL: Full repair and maintenance coverage

PLUS: Repair and maintenance of the powertrain

CORE: Vehicle maintenance and digital services

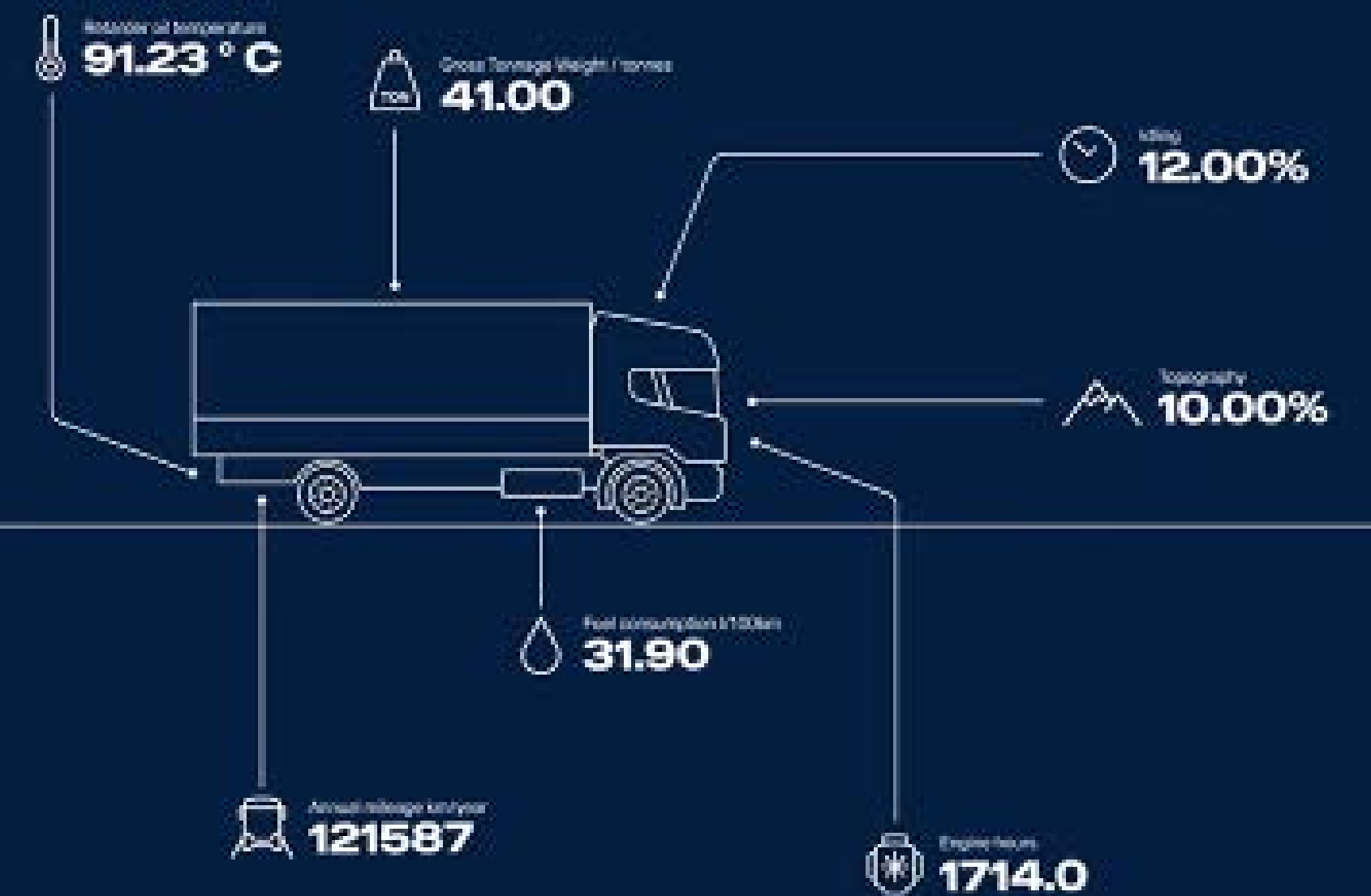


FLEXIBLE MAINTENANCE

Scania Flexible Maintenance is a data-driven service that customises your truck's maintenance plans based on how the vehicle is actually used. No fixed intervals. No unnecessary stops. Just maintenance based on real data and vehicle usage.

The right maintenance at the right time

- Maximises uptime, productivity and sustainability.
- Tailored plans based on real-time operational data.
- Up to one more day on the road thanks to increased uptime and the best technical coverage for your vehicle.
- No unnecessary workshop visits.



SAFETY SOLUTIONS

Scania's ambition is to drive the shift towards zero accidents. In line with our purpose as a company we drive the creation a world of mobility that is better for business, society and the environment. Scania provides a wide range of safety solutions to safeguard drivers and other road users at each stage of the journey.

- Scania Zone.
- AI Camera systems.
- Scania City Door and City window.
- Collision warnings for vulnerable road users.
- Advanced Emergency brake for vehicles and vulnerable road users (VRU).
- Steering wheel airbag.
- Side curtain airbag.
- ProRemote.



CHARGING SERVICES

Scania Charging services for truck charging refer to the infrastructure, technology, and systems that provide electric trucks with access to charging solutions.

Charging Services helps you to plan, monitor and analyse the charging of your fleet.

- Easy access to valuable electric vehicle data.
- Real-time monitoring of your fleet (e.g., state of charge, range, charging status).
- Prepare your vehicles so that they are charged, and batteries are preconditioned before departure.
- Charging notifications inform you in case of interruptions or deviations while charging.
- Analyse historical charging sessions.



FINANCE TAILORED SOLUTIONS

Scania offers **tailored financial and insurance solutions** as integral parts of our service offerings, focusing on individualised support **for fleet owners' needs**. Their desired vehicles, with a long-term risk management, budget certainty, and cash flow adaptation.

- **Customised financial and insurance solutions** for fleet owners' specific needs.
- Offering comprehensive support in **cost transparency, risk management, budget certainty, and cash flow adjustment**.
- **Premium consultation services** are available for both traditional and electric vehicles.

